



SERIES VRG130

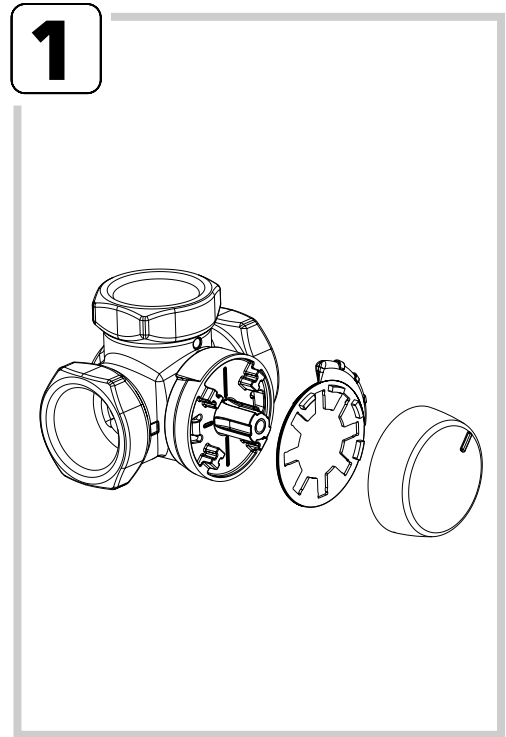
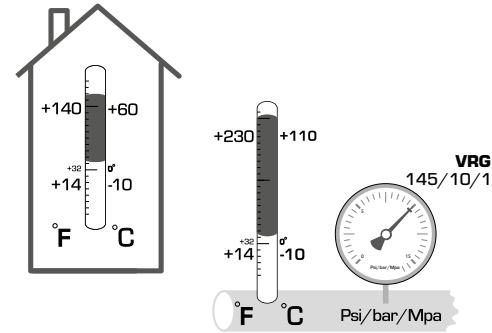


Mtrl.nr. 9814 02 69 • Ritn.nr. 7045 utg. E • Rev. 1505

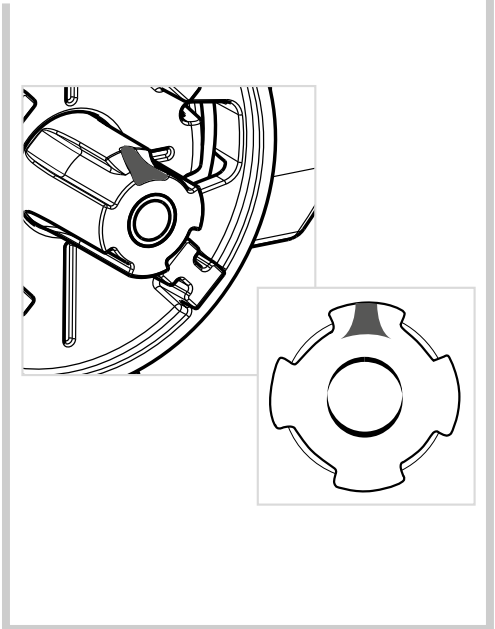


Series VRG131
Series VRG132
Series VRG133
Series VRG138
Series VRG139

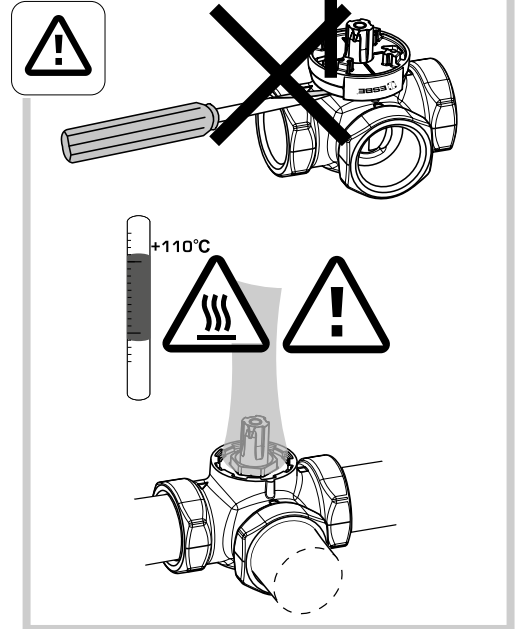
PED 2014/68/EU, article 4.3



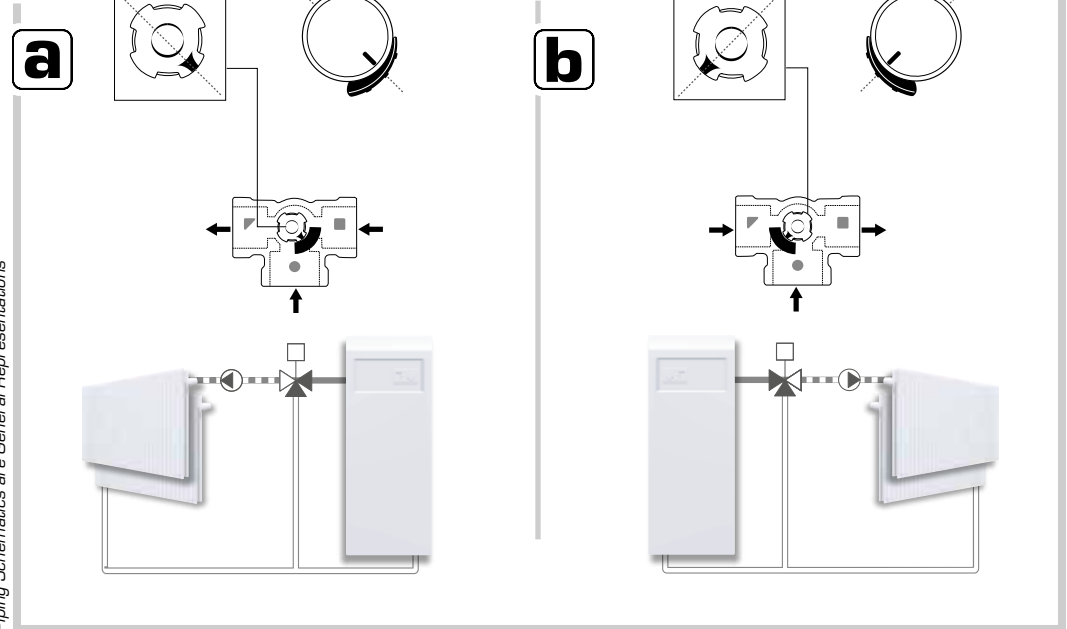
i



i



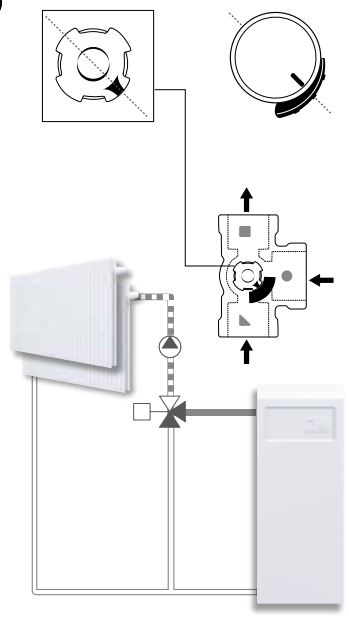
2



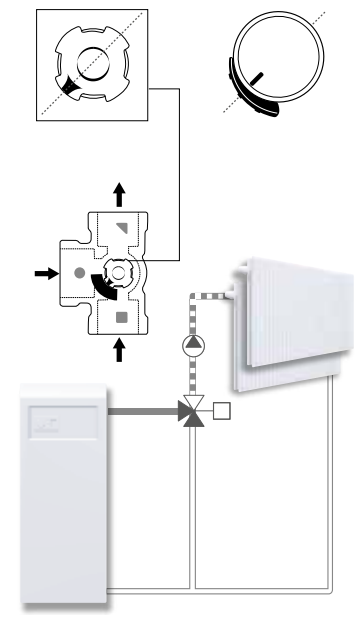
Piping Schematics are General Representations

3

a

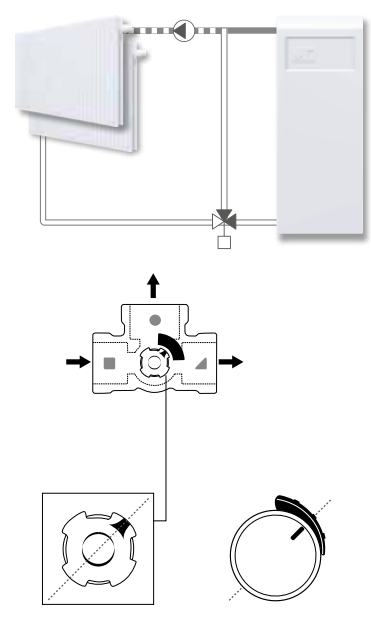


b

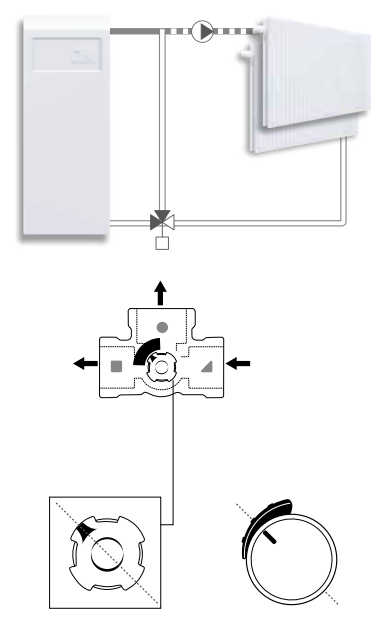


4

a



b



i



<http://www.esbe.eu/global/en/products/rotary-valves>