

CONTROLLERS

CONTROLLER SERIES CRA110

ESBE series CRA110 is a combined actuator and constant flow temperature controller with adjustable temperature setting within the range of 5 – 95 °C. For valves up to DN50, especially suited for ESBE 3-way valves series VRG or 4-way valves of series VRB.

OPERATION

The ESBE series CRA110 is an integrated actuator and controller, for use with mixing valves. Temperature setting is done by an easy-to-use joystick and display interface.

An alternative target temperature may be activated by an external signal.

MOUNTING

Power supply by 230 V AC adapter (complete with transformer, cable and plug) or 24 V AC (cable and plug).

Flow pipe sensor with 1,5m cable included (longer cable available as accessory). The sensor must be carefully insulated from the ambient temperature.

Thanks to the special interface between the controller series CRA110 and the ESBE valve series VRG, VRH and VRB, the unit as a whole has a unique stability and precision when regulating.

OPTIONAL EQUIPMENT

Art. No. _____
16200700 _____ ARA801 Auxiliary switch kit
17053100 _____ CRA911 Flow pipe sensor, 5m cable



CRA111/CRA115
230 VAC



CRA112
24 VAC

SUITABLE MIXING VALVES

- Series VRG100
 - Series VRG200
 - Series VRG300
 - Series VRH100
 - Series VRB100
 - Series MG*
 - Series G
 - Series F ≤ DN50
 - Series BIV
 - Series T and TM
 - Series H and HG
- * Not 5MG

ADAPTOR KITS

Required adaptor kits for easily fitting onto an ESBE rotary mixing valve series VRG, VRB and VRH is supplied with each controller. Adaptor kits can also be ordered separately.

Art. No. _____ ESBE valve series
16000500 _____ VRG, VRH, VRB, G, MG, F, BIV, T, TM, H, HG

Adaptor kits for other mixing valves are available as follows:
Art. No. _____

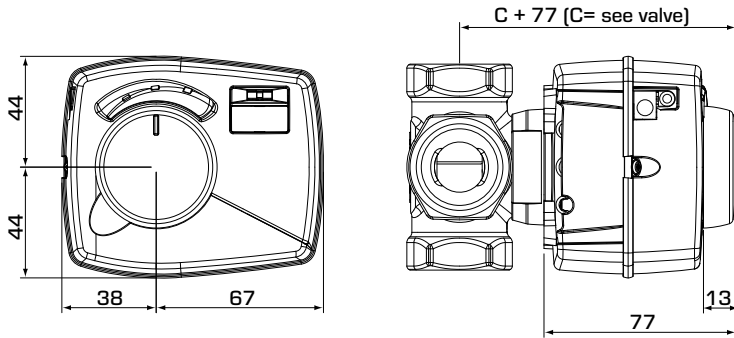
16000600 _____ Meibes
16000700 _____ Watts
16000800 _____ Honeywell Corona
16000900 _____ Lovato
16001000 _____ PAW
16001100 _____ Wita Minimix, Maximix

TECHNICAL DATA

Ambient temperature: _____ max. +55°C
_____ min. -5°C
Temperature range:
Flow pipe sensor _____ +5 to +95°C
Enclosure rating: _____ IP41
Protection class: _____ II
Power supply: _____ 24 ± 10% V AC, 50/60 Hz
_____ 230 ± 10% V AC, 50 Hz
Power consumption - 24 V AC: _____ 3 VA
- 230 V AC: _____ 10 VA
Torque: _____ 6 Nm
Running time at max. speed: _____ 30s
Weight: _____ 0,4 kg

CE LVD 2014/35/EU
EMC 2014/30/EU
RoHS 2011/65/EU

CONTROLLER SERIES CRA110



Installation dimensions for Controller Series
CRA110 with ESBE VRG100, VRG200,
VRG300, VRH100 and VRB100 mixing valves

SERIES CRA110

Art. No.	Reference	Voltage [VAC]	Temp. range	Torque [Nm]	Note	Replaces
12720100	CRA111	230	5-95°C	6	Transformer with UK plug	12700200
12720500	CRA115					
12720200	CRA112	24				

INSTALLATION EXAMPLES

