

# CONTROL VALVE PN16 SERIES VLA300 AND VLB300

ESBE flanged control valves series for PN16, DN15-150.

2-way valves: VLA325 and VLB325.

3-way valves: VLA335 and VLB335



VLA325  
Flange PN16



VLB325  
Flange PN16



VLA335  
Flange PN16



VLB335  
Flange PN16

## MEDIA

These valves can handle the following types of media:

- Hot and cold water.
- Water with antifreeze additives such as glycol.

If the valve is used for media at temperatures below 0°C (32°F), it should be equipped with a stem heater in order to prevent ice formation on the valve stem. The stem heater ALF802 is fixed on the actuator fixing point.

These control valves are used to control fluids belonging to the group showed in the table in accordance to annex IV of 2014/68/EU (PED) directive, in air-conditioning, thermoventilation and heating plants and in industrial processes; therefore they cannot be used as safety valves.

## VALVE MOUNTING

Before mounting the valve, make sure pipes are clean, free from welding slags. The pipes must be perfectly aligned with the valve body and not subject to any vibrations. For installations on plants with high temperature fluids (overheated water) always use expansion joints to avoid dilatation of pipes to stress the valve body.

Install the valves with the actuator in vertical position for fluid temperature up to 120°C, with higher temperatures they must be mounted horizontally.

## CONTROL VALVE DESIGNED FOR

- Heating
- Comfort Cooling
- Solar heating
- Ventilation
- District Heating
- District Cooling

## SUITABLE ACTUATORS

- ALB140
- ALF13x DN15-50
- ALF26x DN15-150
- ALF36x DN15-150
- ALF46x DN65-150

## ACCESSORIES DN 15 - 50

Art. No.

26000700 \_\_\_\_\_ Adaptor kit, Siemens SQX

### TECHNICAL DATA, DN15-50

Type: \_\_\_\_\_ 2- and 3-way plug valve  
 Pressure class: \_\_\_\_\_ PN 16  
 Flow characteristic A-AB: \_\_\_\_\_ EQM  
 Flow characteristic B-AB: \_\_\_\_\_ Complementary  
 Stroke: \_\_\_\_\_ 20 mm  
 Rangeability Kv/Kv<sup>min</sup>: \_\_\_\_\_ see graph  
 Leakrate A-AB: \_\_\_\_\_ Tight sealing  
 Leakrate B-AB: \_\_\_\_\_ Tight sealing  
 ΔP<sub>max</sub>: \_\_\_\_\_ see graph  
 Media temperature: \_\_\_\_\_ max. +130°C  
 \_\_\_\_\_ min. -20°C  
 Connection: \_\_\_\_\_ Flange, ISO 7005-2

#### Material

Body: \_\_\_\_\_ Nodular iron EN-JS 1030  
 Stem: \_\_\_\_\_ Stainless steel SS 2346  
 Plug: \_\_\_\_\_ Brass CW602N  
 Seat: \_\_\_\_\_ Nodular iron EN-JS 1030  
 Blind plug: \_\_\_\_\_ Brass CW602N  
 Seat seal: \_\_\_\_\_ EPDM  
 Packing box seal: \_\_\_\_\_ PTFE/EPDM

CE DN15-50 PED 2014/68/EU, article 4.3

### TECHNICAL DATA, DN65-150

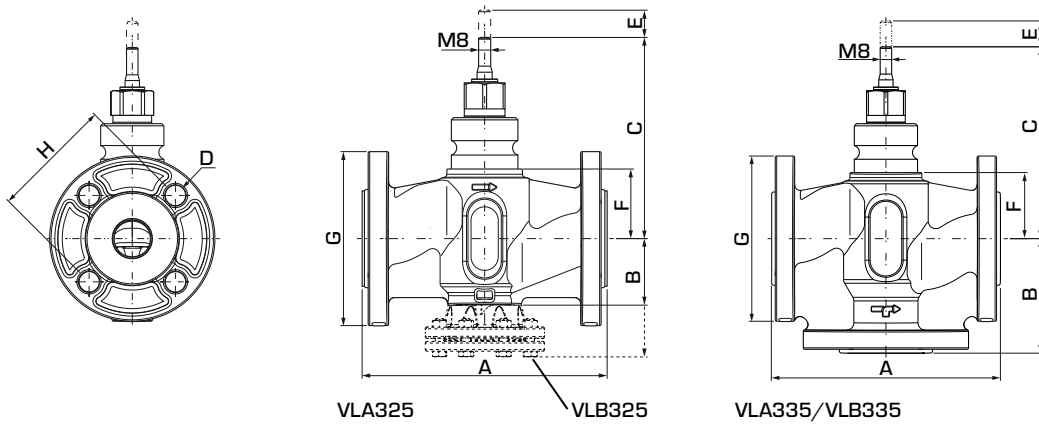
Type: \_\_\_\_\_ 2- and 3-way plug valve  
 Pressure class: \_\_\_\_\_ PN 16  
 Flow characteristic A-AB: \_\_\_\_\_ EQM  
 Flow characteristic B-AB: \_\_\_\_\_ Linear  
 Stroke: \_\_\_\_\_ DN 65, 25 mm  
 \_\_\_\_\_ DN 80-150, 45 mm  
 Rangeability Kv/Kv<sup>min</sup>: \_\_\_\_\_ >50  
 Leakrate A-AB: \_\_\_\_\_ 0.03% of Kvs  
 Leakrate B-AB: \_\_\_\_\_ 2% of Kvs  
 ΔP<sub>max</sub>: \_\_\_\_\_ Mixing, 200 kPa (2 bar)  
 \_\_\_\_\_ Diverting: 70 kPa (0.7 bar)  
 Media temperature: \_\_\_\_\_ max. +150°C  
 \_\_\_\_\_ min. -10°C  
 Connection: \_\_\_\_\_ Flange, ISO 7005-2

#### Material

Body: \_\_\_\_\_ Grey cast iron EN-JL 1040  
 Stem: \_\_\_\_\_ Stainless steel DIN 1.4305  
 Plug: \_\_\_\_\_ Brass CW617N  
 Seat: \_\_\_\_\_ Grey cast iron EN-JL 1040  
 Seat seal: \_\_\_\_\_ Metallic  
 Packing box seal: \_\_\_\_\_ EPDM

CE DN65-150 PED 2014/68/EU, Annex IV

# CONTROL VALVE PN16 SERIES VLA300 AND VLB300



## 2-WAY CONTROL VALVE SERIES VLA325/VLB325

Art. No.	Reference	DN	Kvs*	A	B	C	D	E	F	G	H	Weight [kg]
21200100	VLA325	15	1.6	130	42	123	4x14	20	38	95	65	2.1
21200200			2.5									
21200300			4									
21200400		20	6.3	150	44	126	4x14	20	41	105	75	2.6
21200500		25	10	160	44	131	4x14	20	46	115	85	3.2
21200600		32	16	180	58	144	4x19	20	60	140	100	4.6
21200700		40	25	200	60	146	4x19	20	61	150	110	5.8
21200800		50	38	230	74	161	4x19	20	76	165	125	8.0
21220100	VLB325	65	63	290	175	155	4x18	25	95	185	145	23.0
21220200		80	100	310	187	165	8x18	45	105	200	160	30.0
21220300		100	130	350	207	176	8x18	45	116.5	220	180	45.6
21220400		125	200	400	234	199	8x18	45	139	250	210	55.0
21220500		150	300	480	277	217	8x22	45	157	285	240	71.0

## 3-WAY CONTROL VALVE SERIES VLA335/VLB335

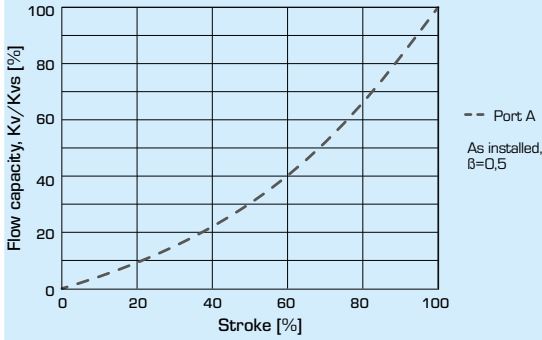
Art. No.	Reference	DN	Kvs*	A	B	C	D	E	F	G	H	Weight [kg]
21200900	VLA335	15	1.6	130	65	123	4x14	20	38	95	65	2.5
21201000			2.5									
21201100			4									
21201200		20	6.3	150	75	126	4x14	20	41	105	75	3.2
21201300		25	10	160	80	131	4x14	20	46	115	85	3.8
21201400		32	16	180	90	144	4x19	20	60	140	100	6.6
21201500		40	25	200	100	146	4x19	20	61	150	110	7.5
21201600		50	38	230	115	161	4x19	20	76	165	125	10.0
21221100	VLB335	65	63	290	145	155	4x18	25	95	185	145	19.0
21221200		80	100	310	155	165	8x18	45	105	200	160	24.0
21221300		100	130	350	175	176	8x18	45	116.5	220	180	32.0
21221400		125	200	400	200	199	8x18	45	139	250	210	46.0
		150	300	480	240	217	8x22	45	157	285	240	61.0

\* Kvs-value in m<sup>3</sup>/h at a pressure drop of 1 bar.

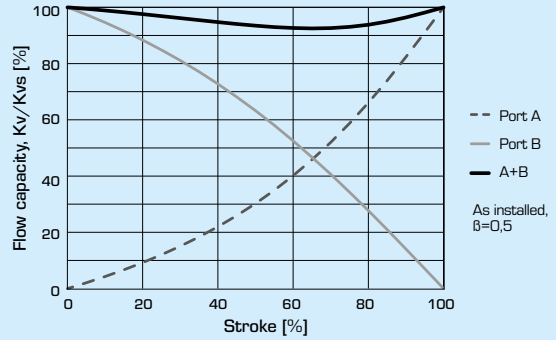
# CONTROL VALVE PN16 SERIES VLA300 AND VLB300

## VALVE CHARACTERISTICS, DN15-50

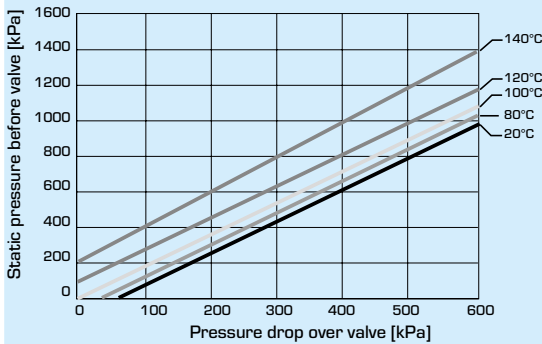
2-way valves, DN15-50



3-way valves, DN15-50



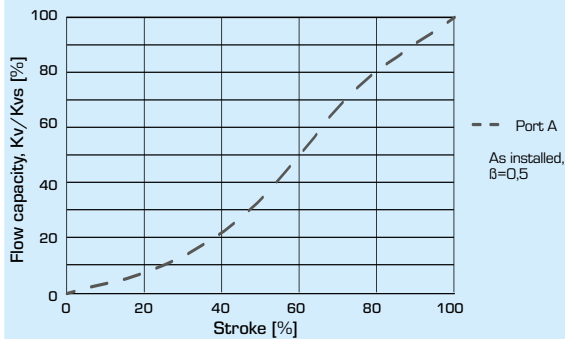
## DIFFERENTIAL PRESSURE DROP CHARACTERISTICS, DN15-50 (mixing)



Pressure drop limit where cavitation might occur. Is dependent of valve inlet pressure and temperature of water.

## VALVE CHARACTERISTICS, DN65-150

2-way valves, DN65-150

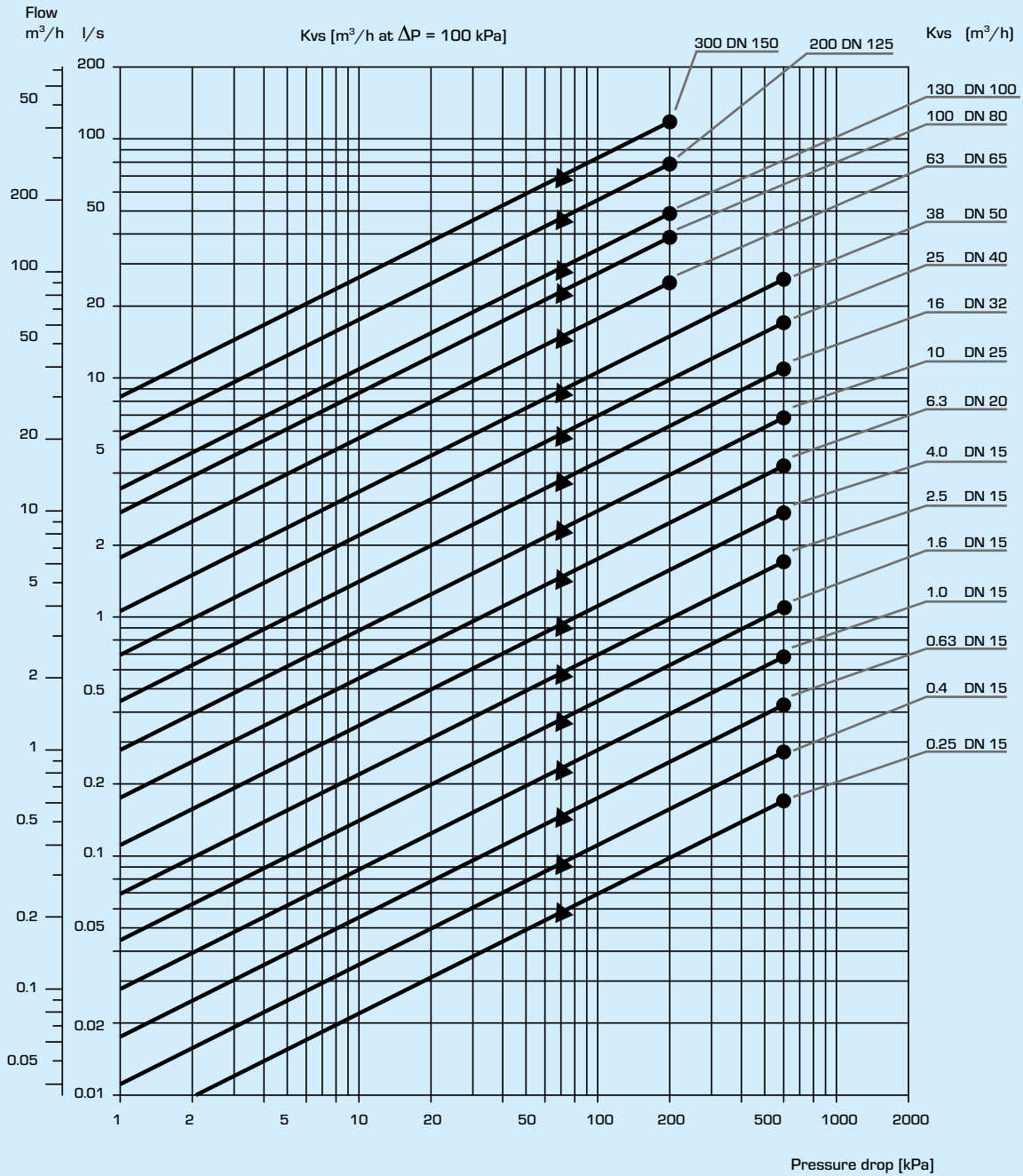


3-way valves, DN65-150



# CONTROL VALVE PN16 SERIES VLA300 AND VLB300

## FLOW CHART



To be considered: As both the viscosity and the thermal conduction are affected when glycol is added to the system water, this fact has to be considered when dimensioning the valve. A good rule is to choose one size higher Kv-value when 30 - 50% glycol is added. A lower concentration of glycol may be disregarded. N.B.! Maximum 50% glycol for freezing protection and oxygen absorbing compounds are allowed as additives.

# CONTROL VALVE PN16 SERIES VLA300 AND VLB300

## INSTALLATION

The valve should be mounted with flow direction in accordance with the valve marking.

If possible, the valve should be installed in the return pipe, in order to avoid exposing the actuator to high temperatures.

The valve must not be installed with the actuator mounted below the valve.

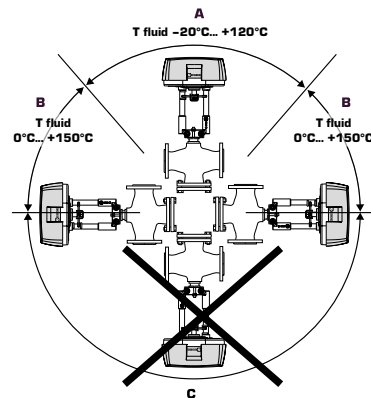
### Mounting positions:

A = Allowed mounting position with fluid temperature between -20°C to +120°C.

B = Allowed mounting position with fluid temperature between 0°C to +150°C.

C = Not allowed mounting position.

To ensure that suspended solids will not become jammed between the valve plug and seat, a filter should be installed upstream of the valve, and the pipe system should be flushed before the valve is installed.



## VALVE AUTHORITY [β]

$\Delta p_v$  - pressure losses over the valve [bar]

$\Delta p_{sys}$  - pressure losses over the system with variable flow [bar]

$\Delta p_{inst}$  - pressure losses over the installation [bar]

Recommendation : Valve authority [β] shall be between 0.3 to 0.7

### a) 2-way valve

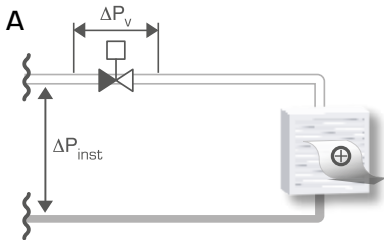
$$\beta = \frac{\Delta p_v}{\Delta p_v + \Delta p_{inst}}$$

### b) 3-way valve

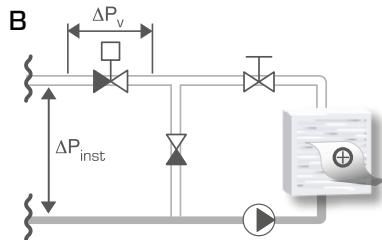
$$\beta = \frac{\Delta p_v}{\Delta p_v + \Delta p_{sys}}$$

## INSTALLATION EXAMPLES

### 2-WAY CONTROL VALVES

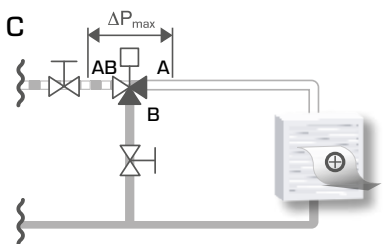


Installation without local circulating pump

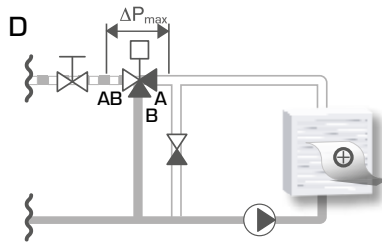


Installation with local circulating pump

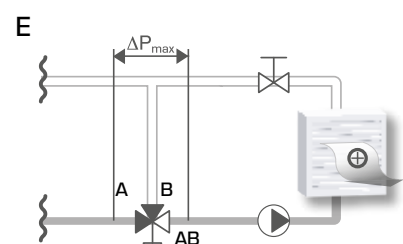
### 3-WAY CONTROL VALVES



Circuit without local circulation pump



Circuit with local circulation pump



Circuit with local circulating pump