

VAC-NTE

Nutork Quarter Turn Electric Actuators

NTE-Series

Features:

- Heat treated alloy steel gearbox provides high strength and longevity.
- High torque worm and gear drive with end of stroke adjusters.
- Removable manual override handle.
- Integral anti-condensation heater and additional SPDT switches for end of travel indication.
- Captive cover screws prevent loss during commissioning.
- Visual position indicator with tempered glass window for impact resistance and long term clarity.
- IP67 environmental protection.



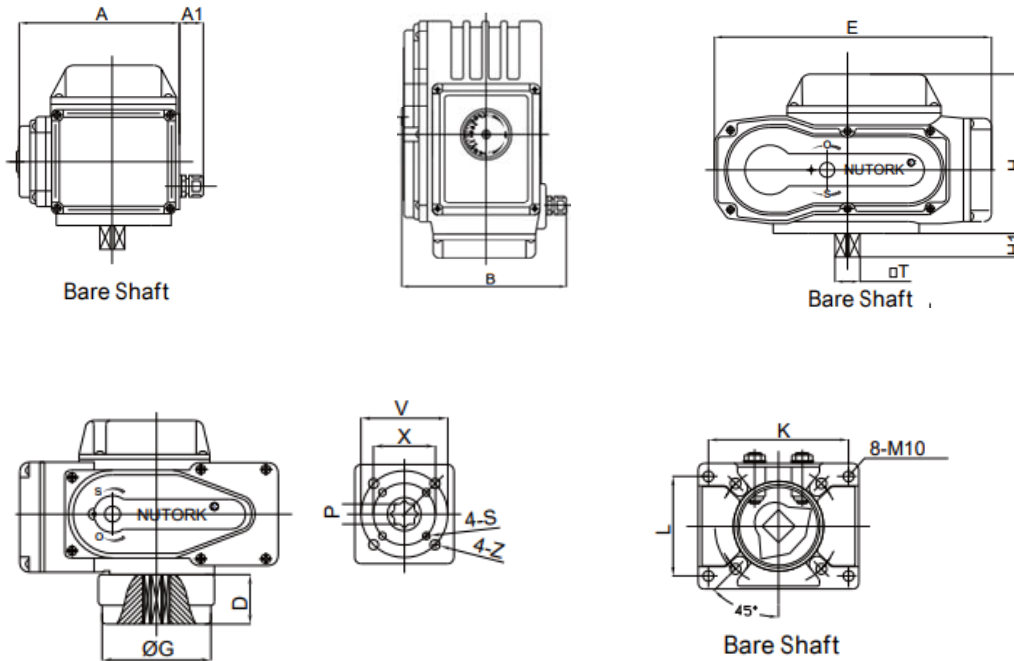
Model	NTE-03	NTE-05	NTE-10	NTE-20	NTE-40	NTE-60	NTE-100	NTE-160	NTE-200	NTE-400
Output Torque (Nm)	30	15/30/50	50/60/100	80/100/ 150/200	150/250 300/400	600	300/800/ 1000	1600	2000	4000
Operation Speed (0° to 90°/50Hz)	20	10/20/30	15/20/30	9/15/20/30	9/15/20/ 30	30	15/30/50	88	100	100
Operation Angle (Max.)	0-360°	0-360°	0-90°	0-90°	0-90°	0-90°	0-90°	0-90°	0-90°	0-90°
Valve Conn. / ISO5211	□9/11—F03/F05 Or □14 - F05/F07		□14/17 - F05/F07	□17/22 – F07/F10	□17/22/27 - F07/F10		□22/27 - F10/F12 Or □36—F14/F16			Bare Shaft
Power (Watts)	DC	20	20	40	40	90	90	-	-	-
	AC	10	10	23	40	90	90	100	100	200
Rated Current 50Hz (A)	24VDC	2	2	2.4	8.5	11.5	11.8	11.5	-	-
	110VAC	0.48	0.48	0.64	0.9	2	2.06	2.2	2.2	4.1
	220VAC	0.24	0.24	0.32	0.48	0.92	0.95	1.20	1.20	2.10
	380VAC	0.15	0.15	0.19	0.25	0.45	0.46	0.48	0.48	0.90
Weight (Kg)										
Duty Cycle (On/Off)	35%, 10mins - 30mins									
Power Supply	1 Phase: 110/220VAC±10%@50/60Hz, 3 Phase: 380/440VAC±10%@50/60Hz, 12VDC,24VDC/AC									
Anti-Vibration	XYZ 10g, 0.2~34Hz, 10mins									
Ambient Humidity	90%RH Max.									
Ambient Temp.	-30°c to 60°c									
Enclosure Rating	IP67 (Standard)									
Mounting Direction	All Directions									
Manual Operation	Detachable crank Allen-Key (Standard Accessory)									
Stopper	In operation: Limit switches at full & closed position; manual operation: Mechanical stoppers									
Housing Material	Die-casting aluminium alloy									

Please note: All information is sourced from manufacturer's data and is intended for guidance only — Essco Process Valves can accept no liability for changes, omissions or errors.

www.esscogroup.co.uk - To order, call us on 01489 779068 or email us on epvsales@esscogroup.co.uk

VAC-NTE

Nutork Quarter Turn Electric Actuators - Dimension Specification



Model	A	A1	E	H	H1	T	K	L	B	X	V	□P	S	Z	ØG	ØF	D
NTE-03	115	22	160	103	12	12*12	68	60	138	36	50	9/11/14	4-M5	4-M6	70	28	Followed by Valve
NTE-05	115	22	160	103	12	12*12	68	60	138	36	50	9/11/14	4-M5	4-M6	70	28	
NTE-10	123	22	208	124	19	15*15	82	70	105	50	70	9/11/14	4-M6	4-M8	90	35	
NTE-20	148	22	258	148	22	23*23	118	84	178	70	102	14/17	4-M8	4-M10	125	48	
NTE-40	148	22	258	148	22	23*23	118	84	178	70	102	17/22	4-M8	4-M10	125	48	
NTE-60	148	22	258	148	22	23*23	118	84	178	70	102	17/22	4-M8	4-M10	125	48	
NTE-100	156	27.5	280	159	25	30*30	148	84	187	102	125	22/27	-	4-M10	135	65	
NTE-160	156	27.5	280	159	25	30*30	148	84	187	102	125	22/27	-	4-M10	135	65	
NTE-200	156	27.5	280	159	25	30*30	148	84	187	140	165	36	-	4-M16	175	65	
NTE-400	266	-	439	179	48	52*52	180	180	266	159	254	52	-	4-M18	-	-	

Please note: All information is sourced from manufacturer's data and is intended for guidance only — Essco Process Valves can accept no liability for changes, omissions or errors.

www.esscogroup.co.uk - To order, call us on 01489 779068 or email us on epvsales@esscogroup.co.uk

VAC-NTE02

Nutork Quarter Turn Electric Actuators

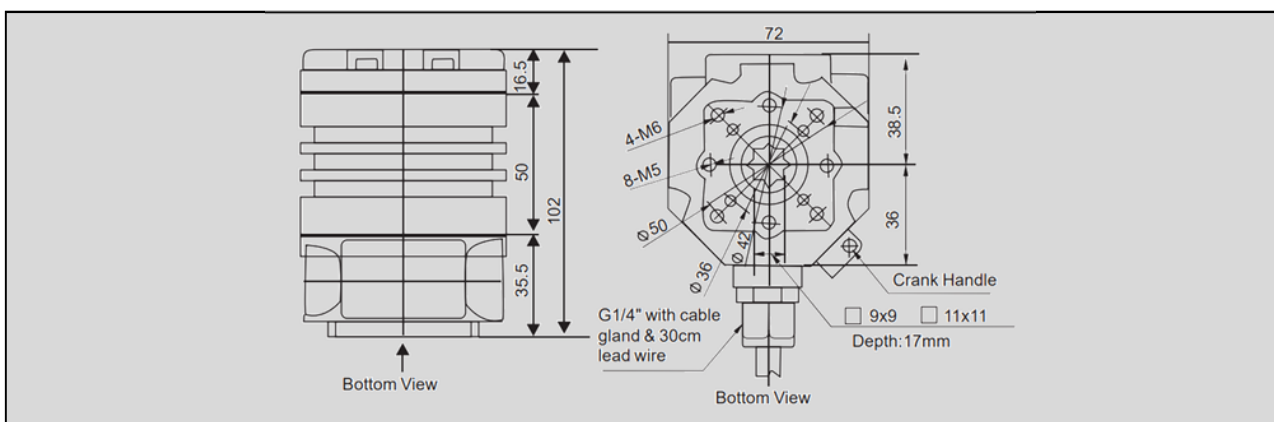
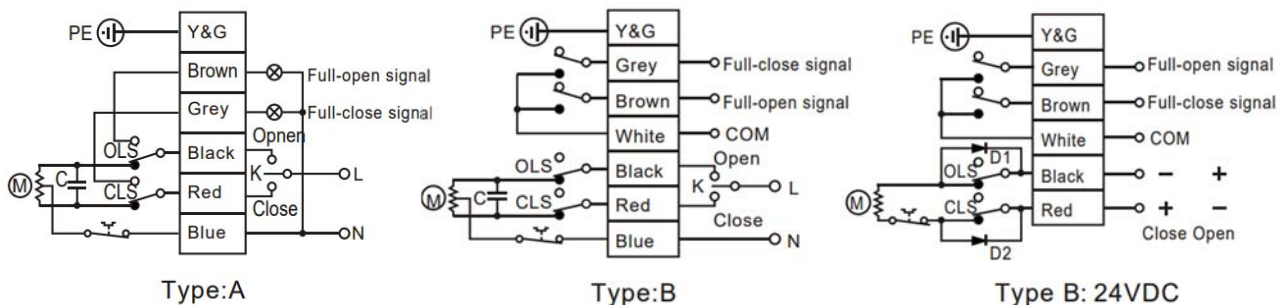
NTE02-Series

Technical Specification:

Model—NTE02				
Power	110/220VAC		24VDC	
Output Torque (Nm)	18	9	18	9
Operating Speed (Sec)	12	6	12	6
Power Consumption (W)	6		8	
Rated Current (A)	0.28	0.15	1.10	
Insulation Resistance	100MΩ@500VDC		100MΩ@250VDC	
Withstand Voltage	1500VAC@1min		550VAC@1min	
Ambient Temp.	-30°C to 60°C			
Valve Connection.	ISO5211, □9/11mm X F03/F04/F05			
Dimensions (mm)	72 (W) x 75 (L) x 120 (H)			
Enclosure Rating	IP68			



Wiring Diagrams:



Please note: All information is sourced from manufacturer's data and is intended for guidance only — Essco Process Valves can accept no liability for changes, omissions or errors.

www.esscogroup.co.uk - To order, call us on 01489 779068 or email us on epvsales@esscogroup.co.uk