

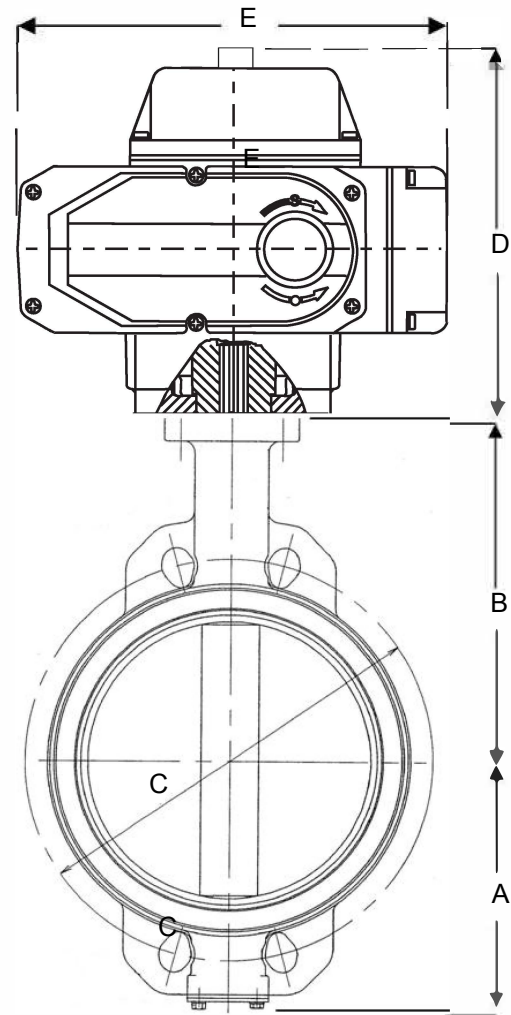
# 2 WAY ZONE VALVES

## Electrically Actuated Butterfly Valves.



### ACTUATOR SPECIFICATION.

- Housing: Die-cast Aluminium alloy
- Enclosure: IP67
- Voltage Options: 110/230/24 Vac 24Vdc
- Duty rating: 30%
- Ambient Temp: -30°C to +60°C
- Manual Operation: Detachable crank handle
- Standard : Two additional volt free switches
- Features: Anti-condensation Heater  
High visual indicator



Valve size	Actuator model	A	B	C (PN16)	D	E
50	NTE-05	67	108	125	148.5	160
65	NTE-05	80	127	145	148.5	160
80	NTE-05	99	132	160	148.5	160
100	NTE-05	110	155	180	148.5	160
125	NTE-05	123	158	210	148.5	160
150	NTE-10	141	185	240	186	196
200	NTE-20	174	213	295	220	255
250	NTE-40	208	245	355	220	255
300	NTE-40	243	282	410	220	255

### VALVE SPECIFICATION.

- Body: Cast Iron
- Disc: Stainless Steel
- Liner: EPDM
- Available in;
- Wafer: Suit PN10/16
- or Lugged: Drilled & tapped PN16