

EPV-1G

Bronze Gate Valve, BSPT Thread, Rated PN20

Material Specification

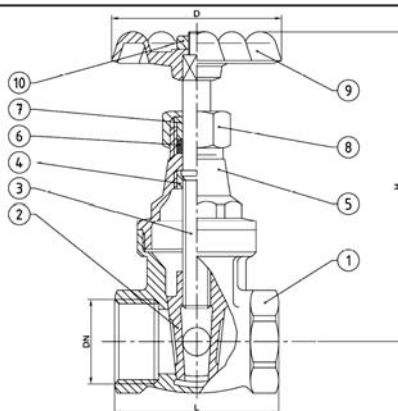
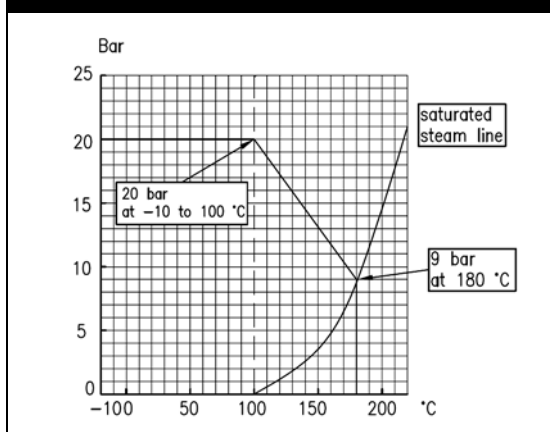
| No | Part | Material |
|----|---------------|--|
| 1 | Body | Bronze- C83600 ATSM B62 |
| 2 | Wedge | Bronze - C83600 ATSM B62 |
| 3 | Stem | Brass- CW614N UNI EN2164 |
| 4 | Stem Ring | Brass- CW614N UNI EN2164 |
| 5 | Bonnet | Brass- CW617N UNI EN2165 |
| 6 | Packing | PTFE at 1/2" to 1" AF/15/MA at 1 1/4" to 2" |
| 7 | Packing Gland | Brass- CW614N UNI EN2164 |
| 8 | Packing Nut | Brass- CW614N UNI EN2164 |
| 9 | Hand wheel | Aluminium- GD12FE UNI EN1706 |
| 10 | Wheel Nut | Steel-6S UNI 5589 |



Dimensions (mm)

| Size (DN) | D | L | H | Weight |
|-----------|-----|-----|-----|--------|
| 1/2" | 50 | 49 | 70 | 0.28 |
| 3/4" | 55 | 51 | 86 | 0.37 |
| 1" | 60 | 57 | 98 | 0.54 |
| 1 1/4" | 70 | 68 | 120 | 0.89 |
| 1 1/2" | 80 | 70 | 137 | 1.21 |
| 2" | 95 | 82 | 160 | 1.90 |
| 2 1/2" | 110 | 96 | 189 | 2.85 |
| 3" | 130 | 107 | 240 | 4.85 |
| 4" | 130 | 122 | 265 | 7.80 |

Pressure/Temperature Rating



Please note: All information is sourced from manufacturer's data and is intended for guidance only — Essco Process Valves can accept no liability for changes, omissions or errors.

www.escogroup.co.uk - To order, call us on 01489 779 060 or email us on epvsales@escogroup.co.uk