

EPV-1NRV

Brass Swing Check Valve, BSPP Thread, Rated PN16

Material Specification

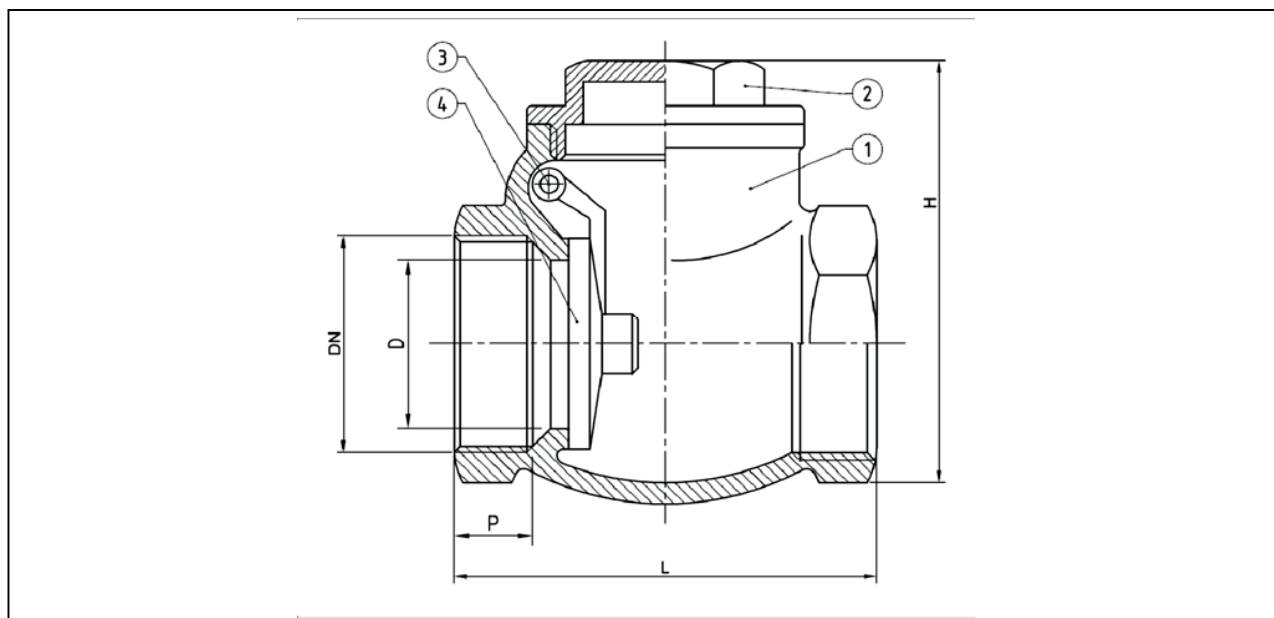
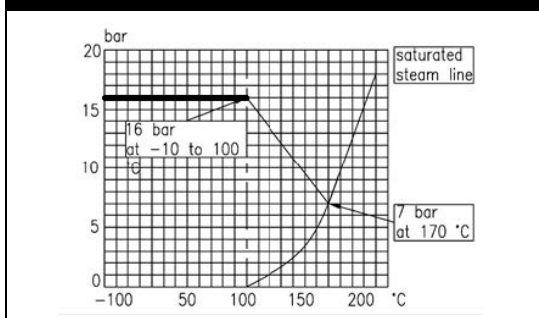
No	Part	Material
1	Body	Brass— CW617N UNI EN12165
2	Cap	Brass— CW617N UNI EN12165
3	Pin	Brass— CW614N UNI EN12164
4	Disc	Brass— CW617N UNI EN12165



Dimensions (mm)

Size (DN)	P	L	H	D	Weight
1/2"	8	47	46	15	0.16
3/4"	8	53	51	20	0.23
1"	10	63	61	25	0.35
1 1/4"	10	74	73	33	0.46
1 1/2"	10	87	85	37	0.72
2"	11	97	94	47	1

Pressure/Temperature Rating



Please note: All information is sourced from manufacturer's data and is intended for guidance only — Essco Process Valves can accept no liability for changes, omissions or errors.

www.escogroup.co.uk - To order, call us on 01489 779 060 or email us on epvsales@escogroup.co.uk