

EPV-2G

Bronze Gate Valve, Metal Seat, Flanged PN16, Rated PN16

Material Specification

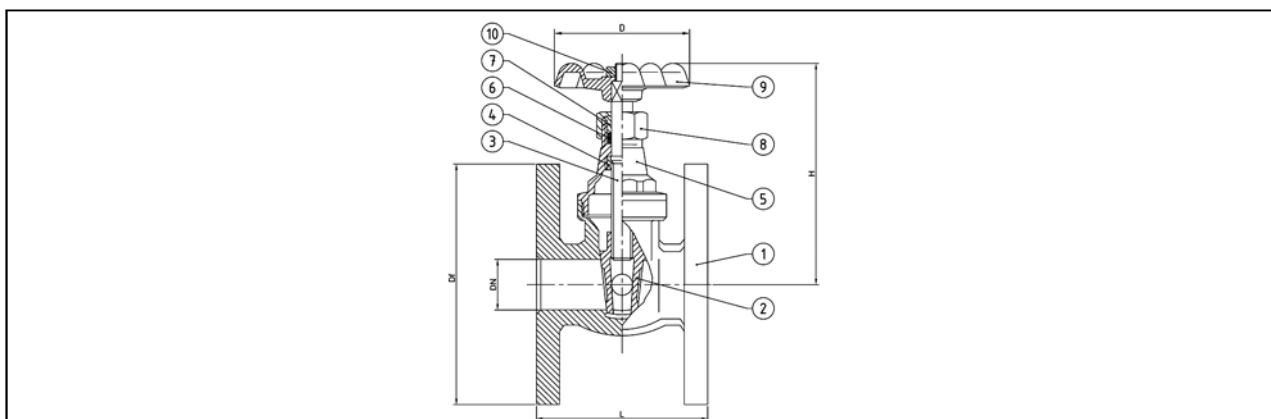
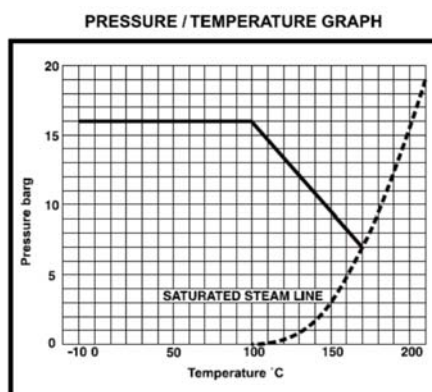
No	Part	Material
1	Body	Bronze—CC491K UNI EN1982
2	Wedge	Brass—CW617N UNI EN12165
3	Stem	Brass—CW614N UNI EN12164
4	Stem Ring	Brass—CW614N UNI EN12164
5	Bonnet	Brass—CW617N UNI EN12165
6	Packing	P.T.F.E at 1/2" to 1" AF/15/MA at 1 1/4" to 4"
7	Packing Gland	Brass—CW614N UNI EN12164
8	Packing Nut	Brass—CW614N UNI EN12164
9	Hand Wheel	Aluminium—GD12FE UNI EN1706
10	Wheel Nut	Steel—6S UNI 5589



Dimensions (mm)

Size (DN)	DF	D	L	H	Kg.
1/2"	95	50	73	86	1.5
3/4"	105	55	73	86	1.8
1"	115	60	80	98	2.6
1 1/4"	140	70	90	120	3.43
1 1/2"	150	80	100	137	4.5
2"	165	95	112	160	5.57
2 1/2"	185	110	130	189	8.8
3"	200	130	147	240	10.3
4"	220	150	164	265	15.3

Pressure/Temperature Rating



Please note: All information is sourced from manufacturer's data and is intended for guidance only — Essco Process Valves can accept no liability for changes, omissions or errors.

www.escogroup.co.uk - To order, call us on 01489 779 060 or email us on epvsales@escogroup.co.uk