

EPV-2NRV

Bronze Swing Check Valve, BSPP Thread, Rated PN16

Material Specification

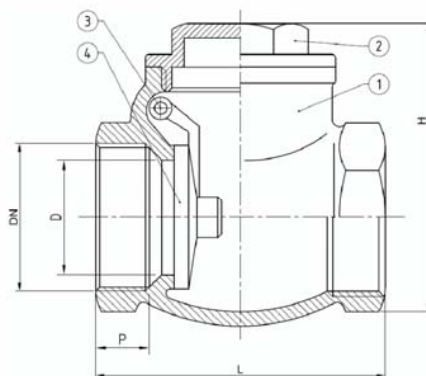
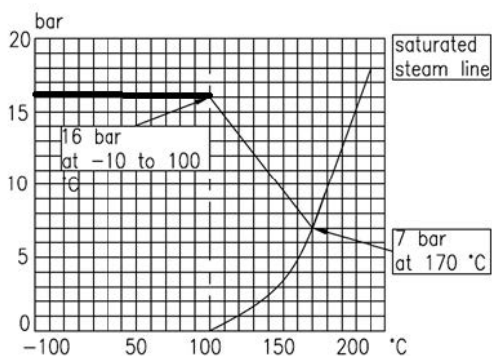
No	Part	Material
1	Body	Bronze—C83600 ASTM B62
2	Cap	Brass—CW617N UNI EN12165
3	Pin	Brass—CW614N UNI EN12164
4	Disc	Brass—CW617N UNI EN12165



Dimensions (mm)

Size (DN)	L	H	Weight
1/2"	52	38	0.22
3/4"	66.5	45	0.36
1"	71	48.5	0.49
1 1/4"	90	58	0.72
1 1/2"	87	62	0.83
2"	110	67	1.38
2 1/2"	136	78	2.28
3"	146	89	3.16
4"	190	102	5.70

Pressure/Temperature Rating



Please note: All information is sourced from manufacturer's data and is intended for guidance only — Essco Process Valves can accept no liability for changes, omissions or errors.

www.escogroup.co.uk - To order, call us on 01489 779 060 or email us on epvsales@escogroup.co.uk