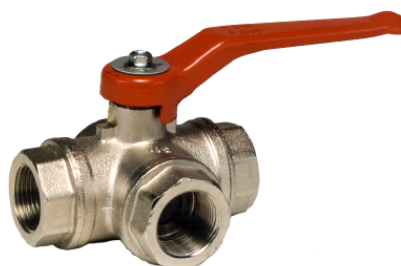


EPV-3T

Three Way Brass Ball Valve, T Port, Rated PN32 1/4" to 1" and PN25 1 1/4" to 2"

Material Specification

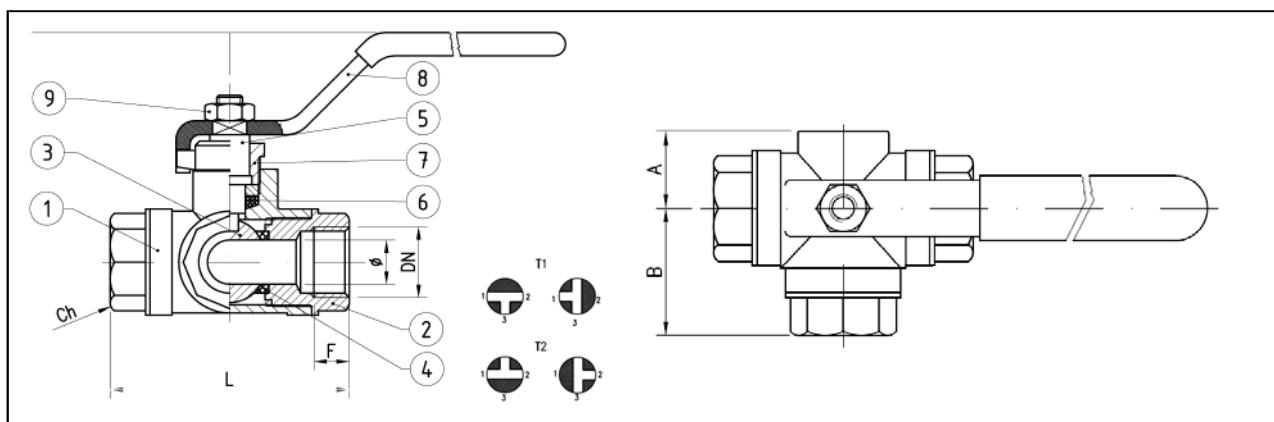
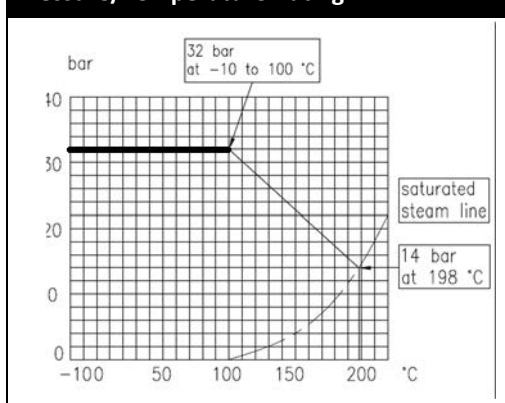
No	Part	Material
1	Body	Brass-CW617N UNI EN12165
2	Body End	Brass-CW617N UNI EN12165
3	Ball	Brass-CW617N UNI EN12165
4	Ball Seat	P.T.F.E
5	Stem	Brass-CW614N UNI EN12164
6	Packing	P.T.F.E
7	Packing Gland	Brass-CW614N UNI EN12164
8	Handle	Steel—Fe P11 UNI EN10111
9	Nut	Steel—S6 UNI 5589



Dimensions (mm)

Size (DN)	Ø	F	L	H	L1	A	B	Ch	PN
1/4"	10	12	74	58	90	22	37	22	32
3/8"	10	12	74	58	90	22	37	22	32
1/2"	12	14	80	60	125	24	39	29	32
3/4"	15	16	90	64	125	28	46	34	32
1"	20	19	105	73	140	31	52	42	32
1 1/4"	25	21	115	79	140	35	58	50	25
1 1/2"	32	23	138	100	220	42	69	57	25
2"	40	26	161	105	220	48	80	68	25

Pressure/Temperature Rating



Please note: All information is sourced from manufacturer's data and is intended for guidance only — Essco Process Valves can accept no liability for changes, omissions or errors.

www.escogroup.co.uk - To order, call us on 01489 779 060 or email us on epvsales@escogroup.co.uk