

EPV-4NRV

Bronze Swing Check Valve, BSPP Thread, Rated PN25

Material Specification

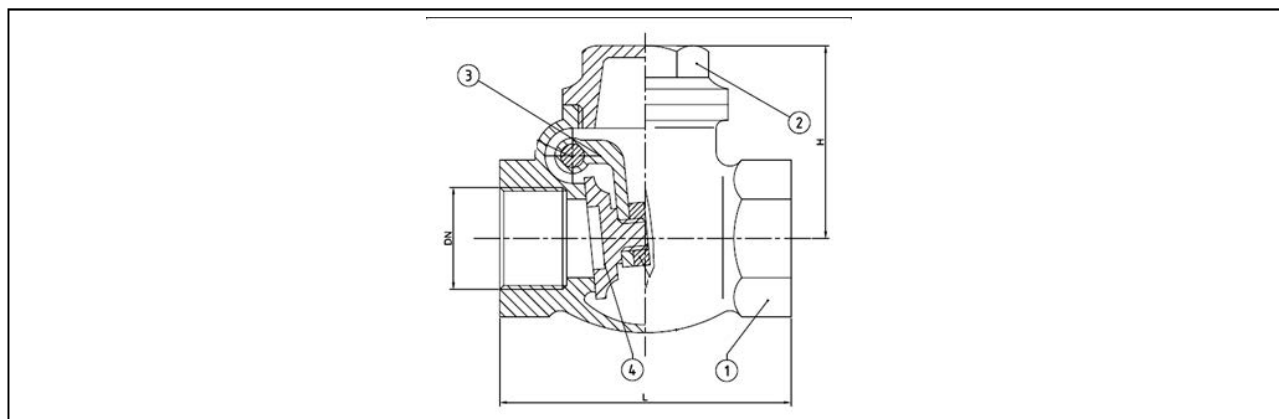
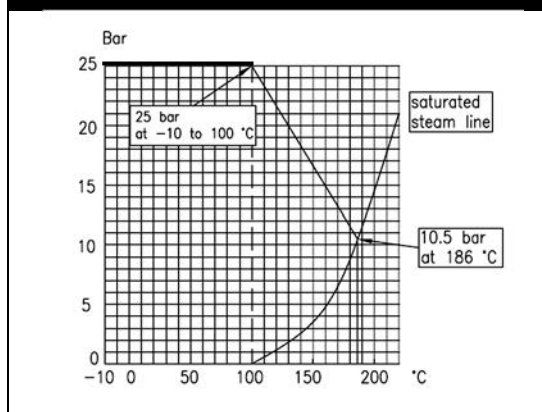
No	Part	Material	
1	Body	Bronze- C83600 ASTM B62	
2	Cap	Bronze- C83600 ASTM B62	
3	Hinge	Bronze- C83600 ASTM B62	
4	Disc	Brass—CW614N UNI EN12164 at 1/2" to 1 1/4"	Bronze- C83600 ASTM B62 at 1 1/2" to 4"



Dimensions (mm)

Size (DN)	L	H	Weight
1/2"	60	45	0.30
3/4"	70	50	0.50
1"	85	60	0.85
1 1/4"	95	70	1.15
1 1/2"	110	75	1.70
2"	130	85	2.47
2 1/2"	150	100	3.75
3"	180	120	6.08
4"	195	120	9.25

Pressure/Temperature Rating



Please note: All information is sourced from manufacturer's data and is intended for guidance only — Essco Process Valves can accept no liability for changes, omissions or errors.

www.escogroup.co.uk - To order, call us on 01489 779 060 or email us on epvsales@escogroup.co.uk