

EPV-5153

Swing Check Valve, Flanged PN16, Manufacturer to BS 5153, Rated PN16

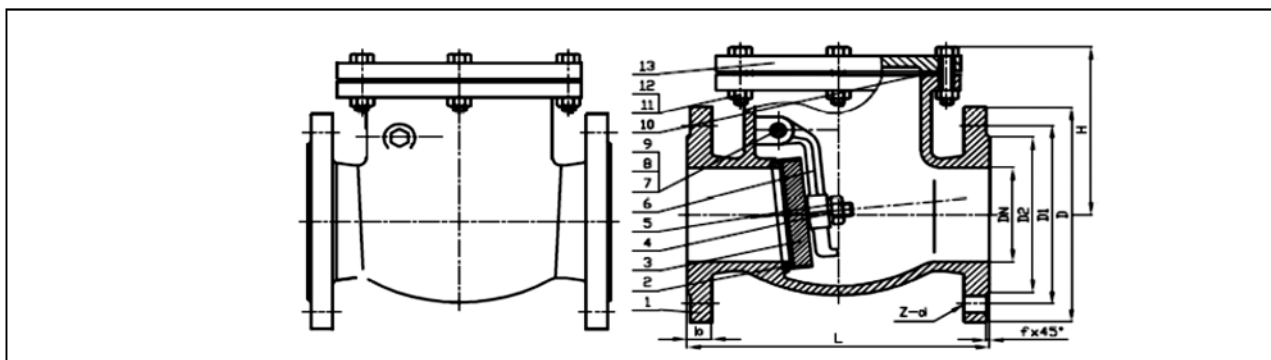
Material Specification

No	Part	Material
1	Body	Cast Iron
2	Body Seat Ring	Brass
3	Disc	Ductile Iron
4	Washer	Carbon Steel
5	Locking Nut	Carbon Steel
6	Arm	Ductile Iron
7	Hinge Pin	Stainless Steel
8	Plug	Carbon Steel
9	Gasket	TFL
10	Gasket	NBR
11	Bolt	Carbon Steel
12	Nut	Carbon Steel
13	Bonnet	Cast Iron



Dimensions (mm)

Size (DN)	DN	D	D1	D2	L	B	F	Z-d	H	Kg
2"	50	165	125	102	203	20	3	4-18	136	14
3"	80	200	160	138	241	22	3	4-18	158	20
4"	100	220	180	158	292	24	3	4-18	184	26
5"	125	250	210	188	330	26	3	4-18	212	38
6"	150	285	240	212	356	26	3	4-18	227	50
8"	200	340	295	268	495	30	3	4-18	263	96
10"	250	405	355	320	622	32	3	4-18	304	155
12"	250	460	410	378	698	32	4	4-18	335	215



Please note: All information is sourced from manufacturer's data and is intended for guidance only — Essco Process Valves can accept no liability for changes, omissions or errors.

www.escogroup.co.uk - To order, call us on 01489 779 060 or email us on epvsales@escogroup.co.uk