

EPV-6NRV

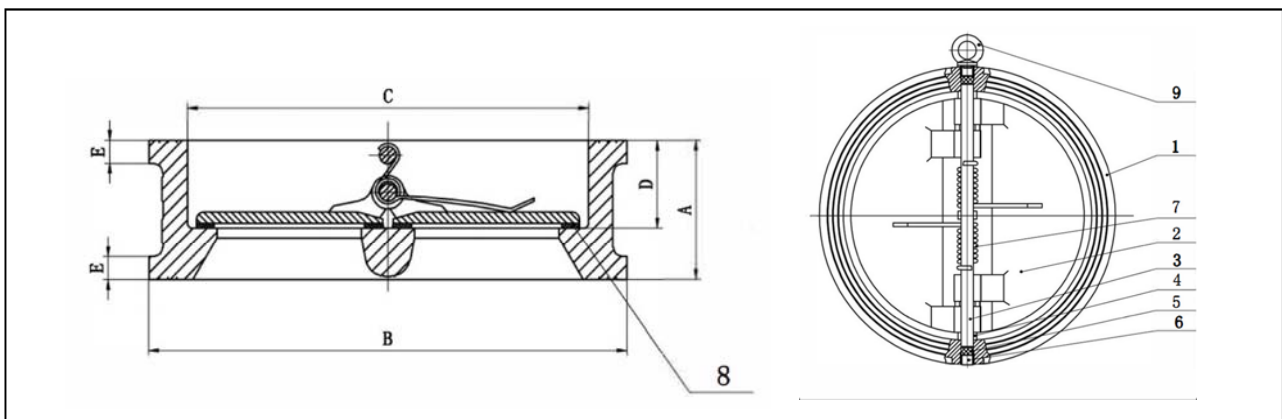
C/I Double Door Check Valve, EPDM Seat, Wafer Pattern, PN16 rated, -10°C to 120°C



- To suit PN16 flanges

Dimensions (mm)					
Size (DN)	A	B	C	D	E
50	54	107	65	35	10
65	54	127	78	35	10
80	57	142	94	38	10
100	64	162	117	47	10
125	70	192	145	49	10
150	76	222	171	51	10
200	95	273	222	66	10
250	108	329	276	76	13
300	144	384	327	93	15

Material Specification			
No	Part	Material	Qty
1	Body	Cast Iron—Blue epoxy coated	1
2	Disc	CF8M	1
3	Fixed Pin	SS304	2
4	Teflon Washer	PTFE	4
5	O Ring	EPDM	4
6	Plug	SS316	1
7	Spring	SS316	1
8	Seat	EPDM	1
9	Eye Bolt	A-489	1



Please note: All information is sourced from manufacturer's data and is intended for guidance only — Essco Process Valves can accept no liability for changes, omissions or errors.

www.escogroup.co.uk - To order, call us on 01489 779 060 or email us on epvsales@escogroup.co.uk