

EPV-70961

Bronze Lift Check Valve, BSPP Thread, Rated PN32

Material Specification

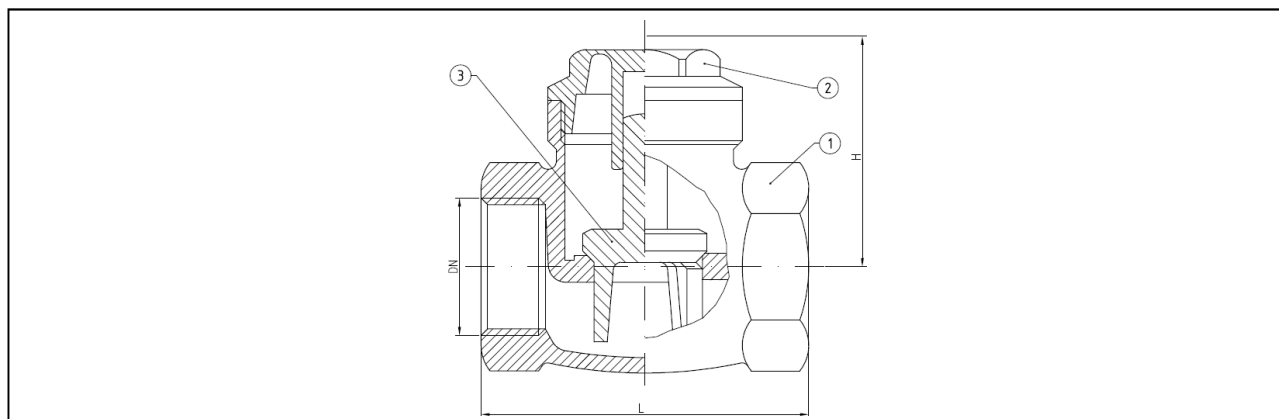
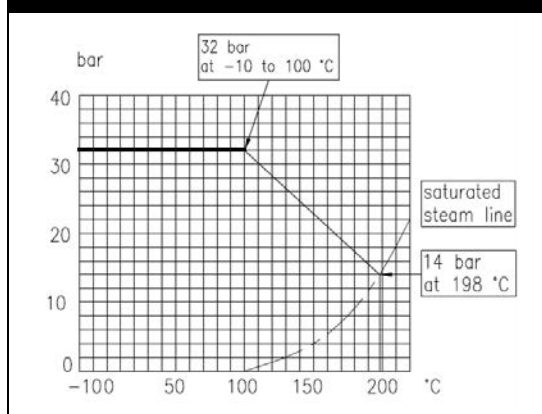
No	Part	Material	
1	Body	Bronze—CC491K UNI EN1982	
2	Cap	Brass—CW614N UNI EN12165 at 1/2" to 1 1/2"	Bronze—CC491K UNI EN1982 at 1 1/2" to 4"
3	Disc	Brass—CW614N UNI EN12164 at 1/2" to 1 1/4"	Bronze—CC491K UNI EN1982 at 1 1/2" to 4"



Dimensions (mm)

Size (DN)	L	H	Weight
1/2"	65	40	0.40
3/4"	75	45	0.68
1"	85	55	1.00
1 1/4"	100	60	1.45
1 1/2"	110	70	1.70
2"	135	80	3.00
2 1/2"	150	100	4.80
3"	180	110	8.00
4"	220	120	15.00

Pressure/Temperature Rating



Please note: All information is sourced from manufacturer's data and is intended for guidance only — Essco Process Valves can accept no liability for changes, omissions or errors.

www.escogroup.co.uk - To order, call us on 01489 779 060 or email us on epvsales@escogroup.co.uk