

VAC-S64

Full Bore Brass Ball Valve—

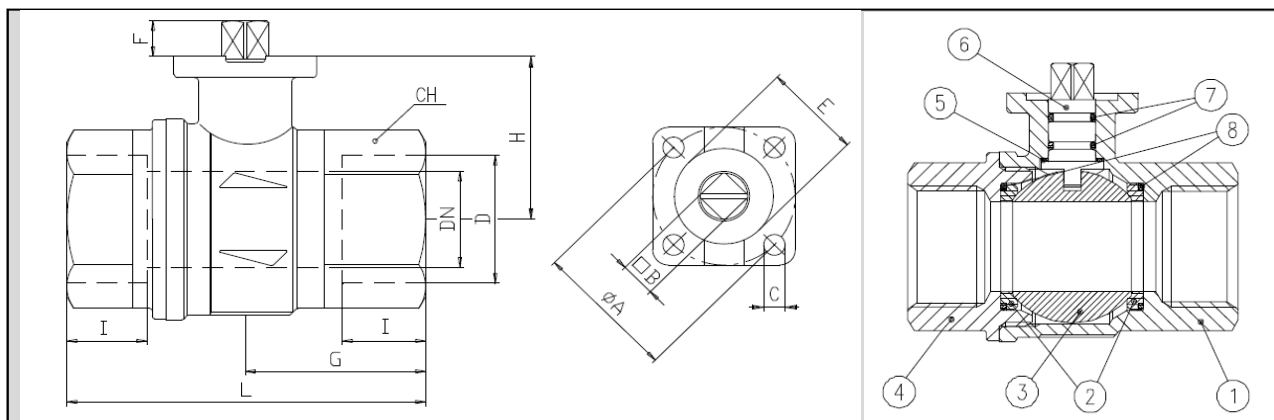
Features and Specification:

- ISO 5211 and DIN 3337 mounting flange for universal connection to actuator.
- Reinforced PTFE self-lubricating seats with flexible lip and wear compensation design.
- Dual sealing system allows valve to be operated in either direction making installation easier.
- Nickel plated blowout-proof brass stem
- Two FPM O-rings at the stem for maximum safety.
- EN 10226-1, ISO 228 parallel female by female threads.
- 40Bar non-shock cold working pressure.
- -20°C to 170°C temperature (Warning: Freezing of the fluid in the installation may severely damage the valve.)



Dimensions (mm)											
Size (DN)	DN	I	L	G	H	CH	ØA	□B	C	E	F
1/2"	15	15.5	75	30.5	31	27	36	9	5.6	25	7.5
3/4"	20	18	80	37	38.5	32	36	9	5.6	25	8.5
1"	25	21	90	45.5	42.5	41	36	9	5.6	25	8.5
1 1/4"	32	23	110	52	49.5	50	36	9	5.6	25	8.5
1 1/2"	40	24.5	120	59	62	55	50	11	6.6	35	10
2"	50	26.5	140	67.5	69	70	50	11	6.6	35	10

Material Specification		
No	Part	Material
1	Nickel plated body	CW617N
2	Ball Seats	PTFE
3	Chrome plated ball	CW617N
4	Nickel plated end cap	CW617N
5	Washer	PTFE carbon with 25%
6	Nickel plated stem O-ring design	CW617N
7	O-ring	FPM
8	O-ring	FPM



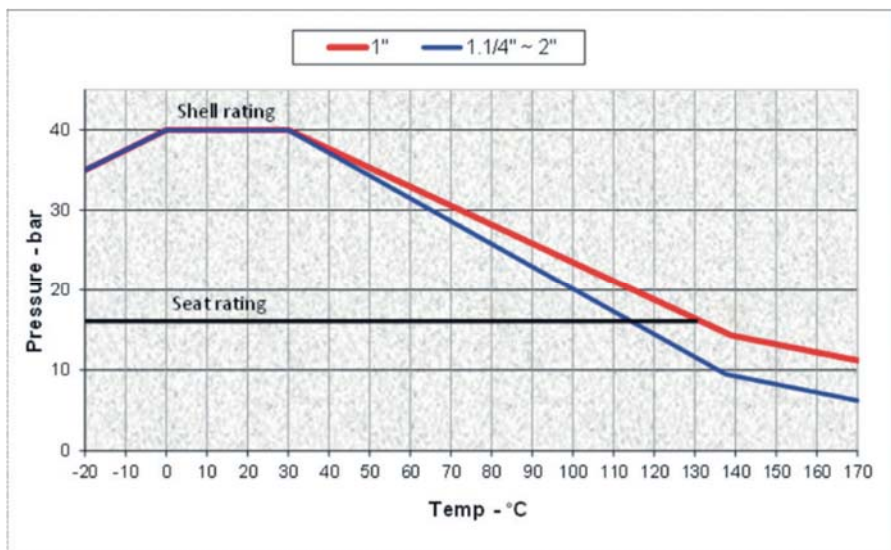
Please note: All information is sourced from manufacturer’s data and is intended for guidance only — Essco Process Valves can accept no liability for changes, omissions or errors.

www.escogroup.co.uk - To order, call us on 01489 779 060 or email us on epvsales@escogroup.co.uk

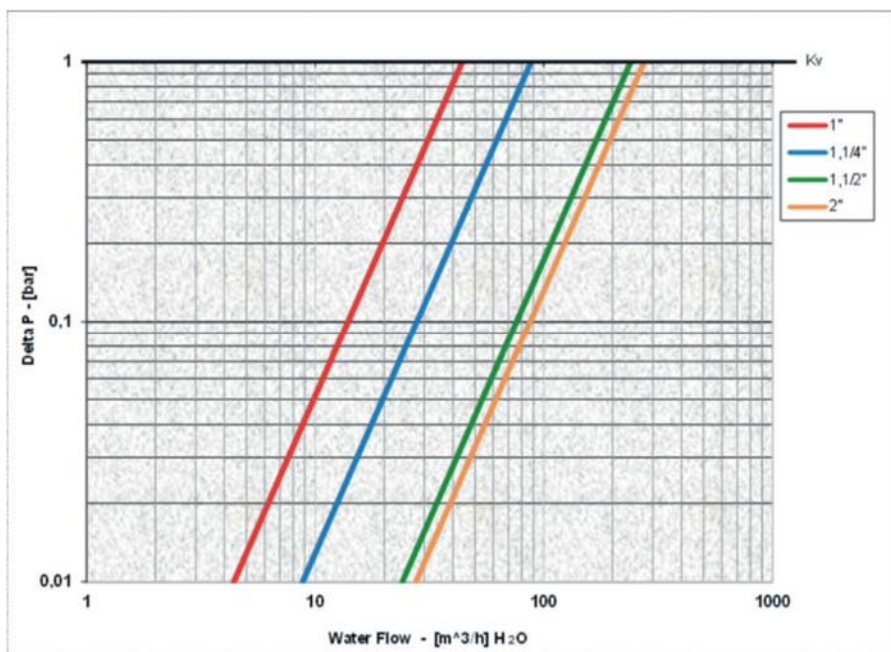
VAC-S64

ISO Full Port Brass Ball Valve—Pressure—Temperature Chart

Pressure - Temperature Chart:



Pressure Drop Chart:



Please note: All information is sourced from manufacturer’s data and is intended for guidance only — Essco Process Valves can accept no liability for changes, omissions or errors.

www.escogroup.co.uk - To order, call us on 01489 779 060 or email us on epvsales@escogroup.co.uk