

EPV-STV

Double Regulating Valve (Balancing Valve) 65mm to 300mm

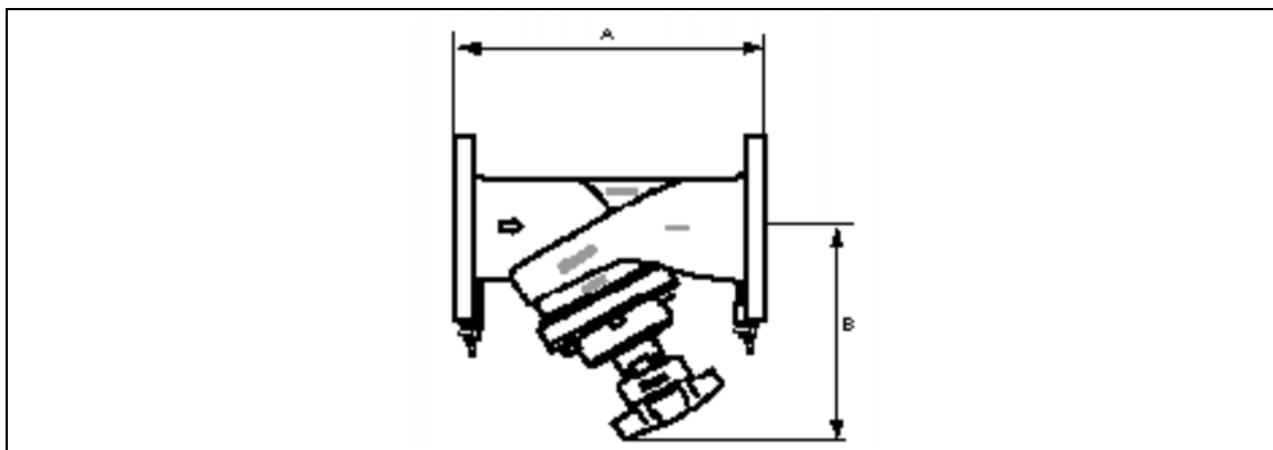
Features and Specification:

- Max working temperature: 120°C
- Pressure class: PN16
- Lockable hand wheel
- Flanged PN16



Technical Data	
Dimensions	65mm-300mm
Pressure Rating	PN16
Material	Cast Iron SS0125-02, PTFE seat washer and EPDM gaskets.

Dimension				
Model	Size	A	B	Weight (Kg)
STV 65	65	290	225	14
STV 80	80	310	240	20
STV 100	100	350	260	26
STV 125	125	400	290	40
STV 150	150	480	300	50



Please note: All information is sourced from manufacturer’s data and is intended for guidance only — Essco Process Valves can accept no liability for changes, omissions or errors.

www.escogroup.co.uk - To order, call us on 01489 779 060 or email us on epvsales@escogroup.co.uk

EPV-STV

Double Regulating Valve (Balancing Valve) 65mm to 300mm

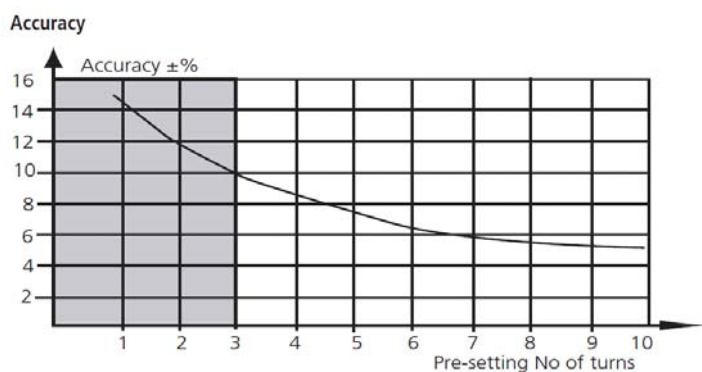
Pre-setting:

By means of the wheel, the valve is set at the desired flow or Kv-value according to the diagram, for diagram see below. To lock the value/ Kv-value you will need to screw down the inner spindle to its end position with a 3mm Allen key. After locking, the valve can still be closed but cannot be opened higher than the set position.

Kv - Value										
Model	1	2	3	4	5	6	7	8	9	10
STV65	2.8	5.1	9.6	20.0	35.5	51.0	66.0	78.5	87.0	93.5
STV80	5.5	9.5	13.5	18.5	29.5	49.0	68.5	85.0	98.0	110.0
STV100	8.0	13.5	19.0	33.0	67.0	99.5	125.0	150.0	170.0	190.0
STV125	10.0	22.0	33.0	63.0	106.0	150.0	194.0	236.0	273.0	301.0
STV150	18.0	33.0	68.0	130.0	186.0	246.0	294.0	340.0	385.0	425.0

Flow measuring:

The measuring instrument is connected to the measuring socket of the valve. The instrument is pre-programmed with the characteristics of all our adjustment valves and proving rings. The flow can read from the pressure drop diagram, accuracy is greatest when the valve is fully open. It is better to choose a valve that has a pre-set value above three turns.



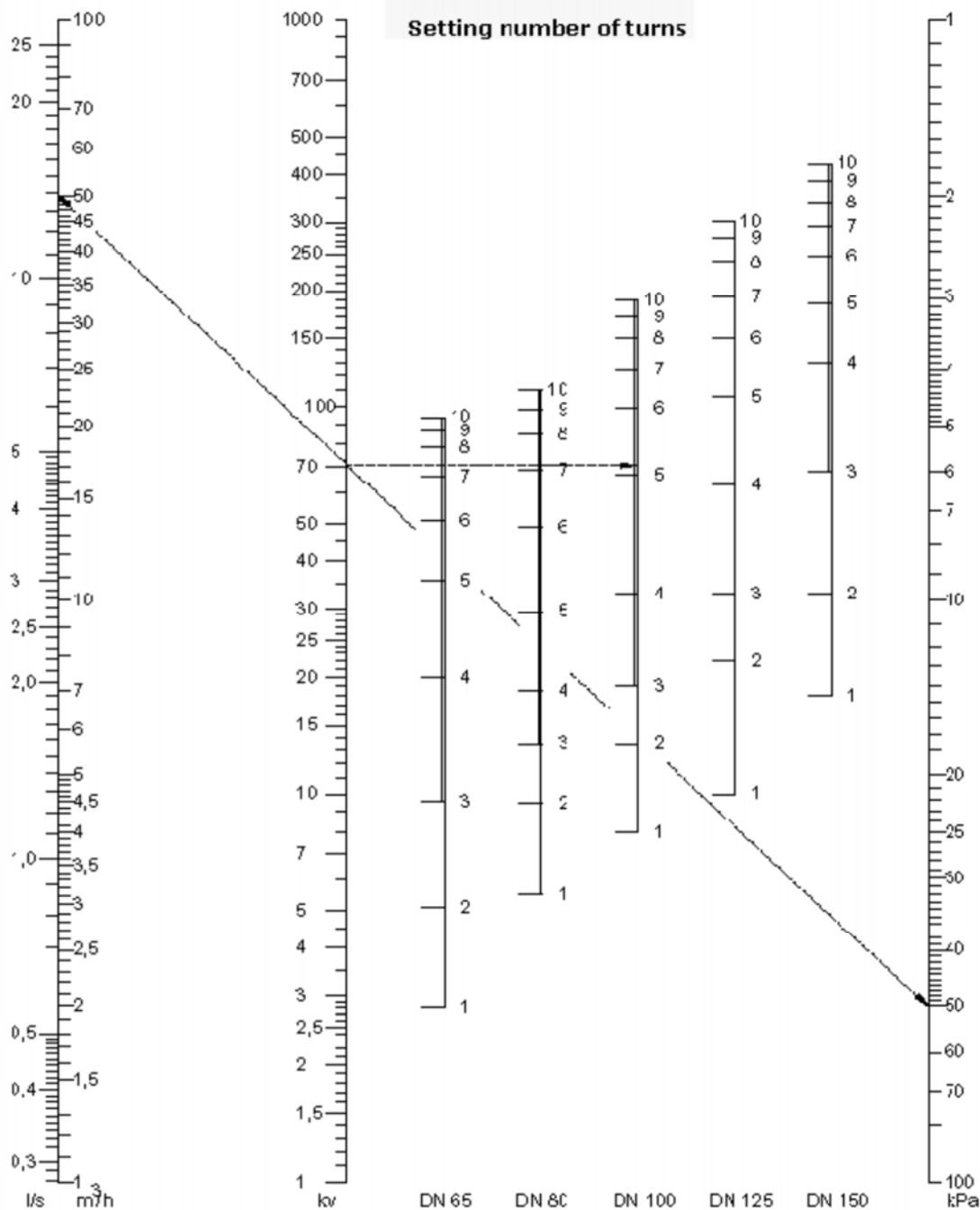
Please note: All information is sourced from manufacturer's data and is intended for guidance only — Essco Process Valves can accept no liability for changes, omissions or errors.

www.escogroup.co.uk - To order, call us on 01489 779 060 or email us on epvsales@escogroup.co.uk

EPV-STV

Double Regulating Valve (Balancing Valve) 65mm to 300mm

Setting number of turns diagram:



Please note: All information is sourced from manufacturer's data and is intended for guidance only — Essco Process Valves can accept no liability for changes, omissions or errors.

www.escogroup.co.uk - To order, call us on 01489 779 060 or email us on epvsales@escogroup.co.uk