

ACTUATOR SERIES 90 PROPORTIONAL



Proportional

ESBE actuator Series 90 for operating ESBE mixing valves DN 15–100. This series is provided with adjustable cam discs to obtain adjustable operating range which make the series very flexible.

OPERATION

The ESBE series 90 actuator is a compact actuator for operating rotary mixing valves. The actuator is reversible and is provided with limit switches which are actuated by cam discs. The actuator is provided with a disconnection for manual operation and has an indication on the front showing valve position.

Supply voltage 24 V AC/DC. The actuator factory setting is 0-10V, 90°, 120s. Any adjustments are made by removal of the front cover.

SUITABLE MIXING VALVES

- Series VRG100*
- Series VRG200*
- Series VRG300*
- Series VRH100*
- Series VRB100*
- Series VBF100, DN20-65*
- Series MG
- Series G
- Series F
- Series BIV
- Series T, TM
- Series H and HG

*Separate adaptor kit is required, see below

ADAPTOR KITS

Required adaptor kits for easily fitting onto an ESBE rotary mixing valve is available in three different styles. Adaptor kit designed for ESBE mixing valve series MG, G, F, BIV, H, HG is supplied with each actuator. Adaptor kits for ESBE mixing valve series VRG, VRH, VRB and VBF can be ordered separately.

Art. No.

16051300 (= supplied with actuator)

_____ ESBE valve series MG, G, F, BIV, T, TM, H, HG

16053300 _____ ESBE valve series VRG, VRH, VRB

13905100 _____ ESBE valve series VBF100

Adaptor kits for other mixing valves and valves built-into boilers are available as follows:

Art. No.

16053600 _____ BRV, Meibes, Oventrop^{**}, Watts

16053900 _____ Honeywell Centra ZR, DR, DRG, DRU (DN15–50)

16051700 _____ Honeywell Centra Kompakt DRK/ZRK

16051300 _____ Sauter MH32...H42...

16052600 _____ Schneider Electric/TAC-TRV

16052500 _____ Siemens VBG31, VBI31, VBF21, VCI31^{***}

16051400 _____ TA-VTR, TA-STM

16051500 _____ Viessmann (DN20–25)

OPTIONS

Art. No.

98100690 _____ Separate auxiliary switch

TECHNICAL DATA

Ambient temperature: _____ max. +55°C

_____ min. -15°C

Power supply: _____ 24 ± 10% V AC/ DC, 50/60 Hz

Power consumption: _____ 5 VA

Enclosure rating: _____ IP 54

Protection class: _____ II

Torque: _____ See table

Weight: _____ 0,8 kg

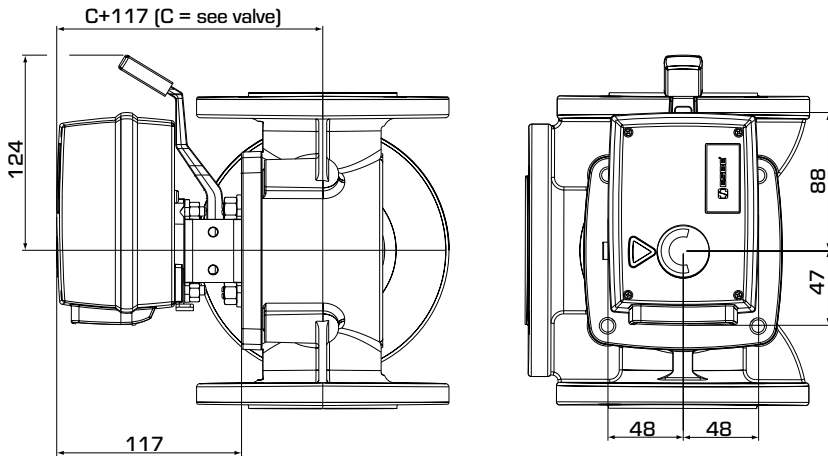


LVD 2014/35/EU
EMC 2014/30/EU
RoHS 2011/65/EU

Wiring - Please see the Installation instruction

Notes: **For Oventrop mixing valves until ~2015 (old design of the housing). *** ≤ DN50

ACTUATOR SERIES 90 PROPORTIONAL



Installation dimensions for
Actuator Series 90

SERIES 90, PROPORTIONAL 24 V AC/DC

Art. No.	Reference	Voltage [V]	Running time [s]	Torque [Nm]	Control signal	Remark
12550500	93P	24	60 – 390 ^{1),2)}	15	0-10 V, 2-10 V, 0-20 mA, 4-20 mA ¹⁾	Operating range 90/180/355° ¹⁾

Note 1) Factory settings are: 90° operating range, 0 – 10 V control signal and 120s running time.

2) The running time relates to set turning angel. More information can be found in the installation instruction.