

EA1070 Motorised 2-way Ball Valve

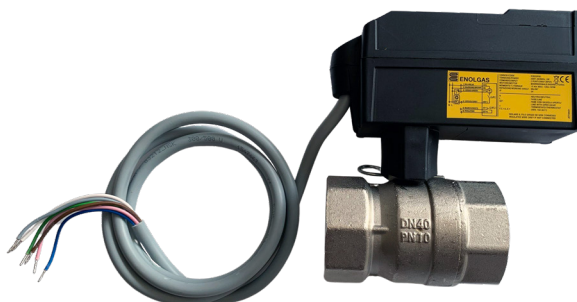
For actuated isolation of heating and cooling systems



The actuated ball valve is used to provide isolation in heating and cooling systems.

Features

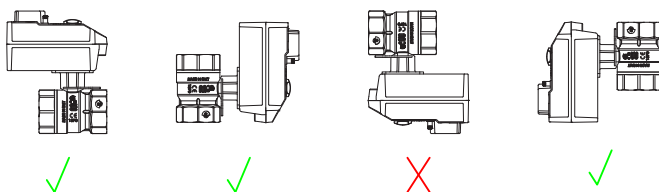
- Quick mounting design
- Equal percentage flow control
- 60 second run time
- 100% leak tight
- Position indicator
- Manual operation via unlock button
- Microswitch as standard



Technical Specification

Valve Specification	
Medium	Heating/cooling systems
Maximum working pressure	PN10
Working temperature range	-20 – 80°C for valve
	Max. 70°C for actuator
Threads	BSP Female (ISO 228/1)
Operation	Automatic (230V / 24V actuator) or Manual via unlock button
Flow characteristics (½" to 1 ½")	Full bore
Flow characteristics (1 ¼" to 2")	Reduced bore

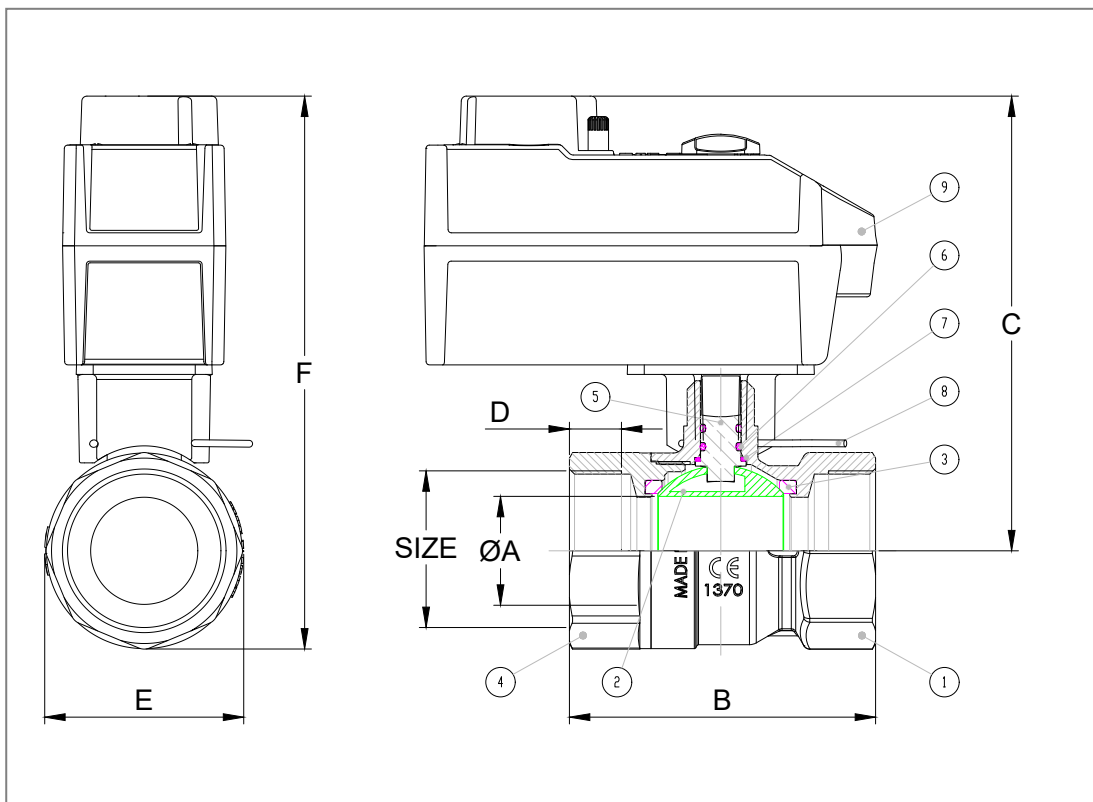
Installation orientations



Actuator Specification		
	EC1070M002	EC1070L002
Range		
Voltage	230V	24V
Valve sizes compatible	½" to 2"	
Dimensions (W x H x D)	133 x 95 x 48 mm	
Inrush current	4 VA	
Output torque	13 Nm (115 lb/in)	
Position indicator	Yes	
Motor type	Bidirectional	
Relay	SPST	
Run time	60s / 90°	
Operating temperature	-20° + 70°	
IP rating	IP54	
Cable	6-core	
Cable length	1.2m	

Range	Product Code	Size	Weight (kg)
EV1069M (Mains voltage 230V)	EA1070M015	1/2"	0.91
	EA1070M020	3/4"	0.99
	EA1070M025	1"	1.16
	EA1070M032	1 1/4"	1.39
	EA1070M040	1 1/2"	1.64
	EA1070M050	2"	1.96
EV1069L (Low voltage 24V)	EA1070L015	1/2"	0.95
	EA1070L020	3/4"	1.03
	EA1070L025	1"	1.2
	EA1070L032	1 1/4"	1.43
	EA1070L040	1 1/2"	1.68
	EA1070L050	2"	2

Dimensions & Materials



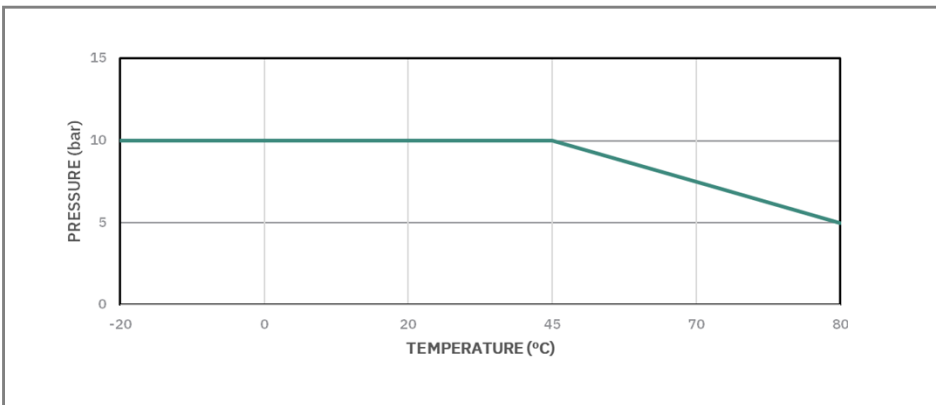
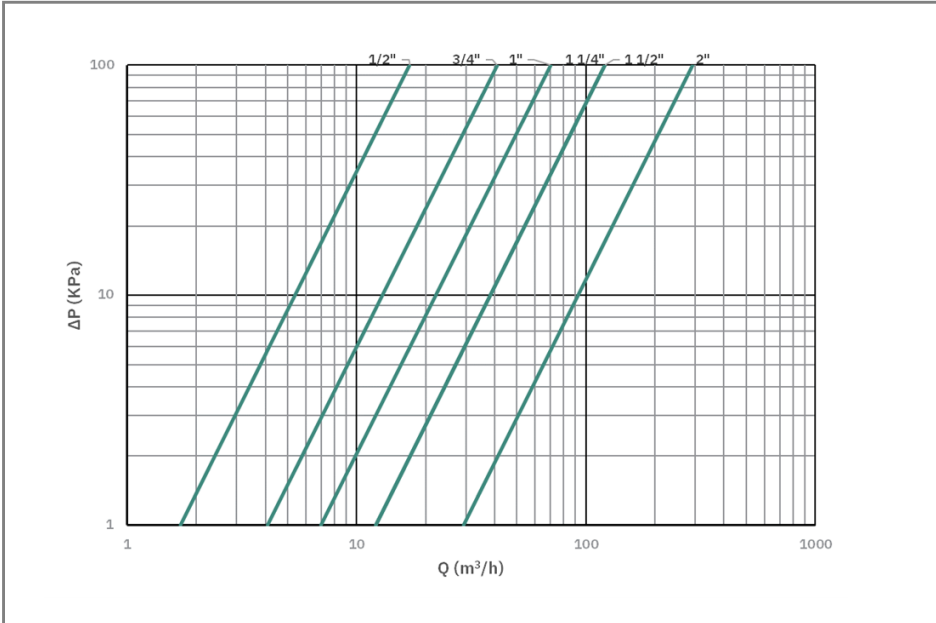
Valve Specification	Material	Grade
1 Body	Nickel plated brass	CW617
2 Ball	Chrome plated brass	CW614
3 Ball seat	Plastic	PTFE
4 Sleeve	Brass	CW617
5 Stem	Brass	CW724
6 O-Ring	Rubber	HNBR + FKM
7 Anti-friction ring	Plastic	PTFE
8 Quick release spring clip	Galvanised Steel	-
9 Actuator body	Plastic	PA6

Size	Dimensions (mm)					
	½"	¾"	1"	1 ¼"	1 ½"	2"
Size	G½"	G¾"	G1"	G1 ¼"	G1 ½"	G2"
Ø A	15	20	25	32	32	40
B	50	58.5	71	82	90	105
C	113.5	116.5	121.5	126.5	126.5	132.5
D	7.2	11	12.5	13.5	15.5	17.5
E	32	37.5	46	57.5	57.5	70



Pressure Drops

Size	1/2"	3/4"	1"	1 1/4"	1 1/2"	2"
Kv (m ³ /h)	17	41	70	121	121	292



EC1070M (230V)

EC1070L (24V)

