

TMV3 Thermostatic Mixing Valves

VTA353 & Combi



Overview

Self-acting thermostatic mixing valve for blending hot and cold water, to ensure a constant, safely controlled and scald-safe outlet temperature in dwellings.

Features and Benefits

- Delivers 40 l/m at 2.5 bar pressure
- Scald-safe to ensure full automatic shut off, in the event of a cold-water failure
- 15mm and 22mm connections
- Standard model available in T pattern
- Combi model supplied with 4-in-1 angle inlet connectors with stainless steel mesh strainers, non-return valves, 1/4" BSP pressure tapping point and 1/4-turn lever ball valves
- Tamperproof feature to prevent unauthorised adjustment of temperature following commissioning
- High supply pressure imbalance dynamic of 6:1 makes the EBSE TMV suitable for gravity fed hot water source and a pump fed cold water source



VTA353 Combi Model

Application

ESBE thermostatic mixing valves are ideal for reducing temperatures in any application where hot water at 60°C may accidentally scald and cause serious burns.

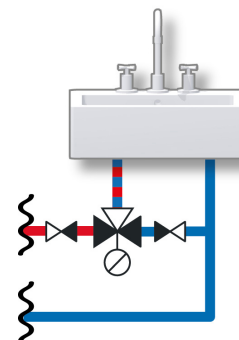
Used in showers, basins and baths, they ensure washing safety in schools, sports centres, factories, prisons, and many other venues.



VTA353 Standard Model

Designation of Use	High Pressure	Low Pressure
Bidet (B)	HP-B	LP-B
Shower (S)	HP-S	LP-S
Washbasin (W)	HP-W	LP-W
Tube (T) fill at 44°C	HP-T44	LP-T44
Tube (T) fill at 46°C	HP-T46	LP-T46
Diverter Tub/shower (D) Tub fill at 44°C or 46°C Shower at 41°C max	HP-D44 HP-D46	LP-D44 LP-D46

Typical Installation



Technical Details

VTA353

With integrated check valves and adapters



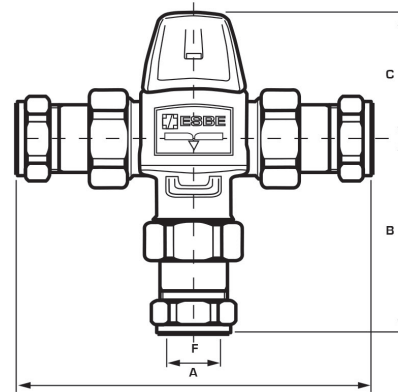
Art. No	Temp. range	Kvs*	Connection F
31106413	35-60°C	1.5	CPF 15mm
31106412			CPF 22mm

* Kvs-value in m3/h at a pressure drop of 1 bar. CPF = compression fitting. Two check valves for both hot and cold water are included.



VTA353 Standard Model

Art. No	Dimensions			Weight
	A	B	C	kg
31106413	126	70	52	0.69
31106412	146	80		0.78



TMV3-VTA353-Combi-022/015

With integrated check valves and adapters

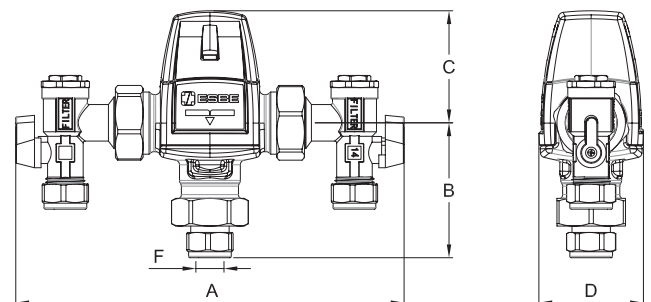
Art. No	Temp. range	Kvs*	Connection F
TMV3-Combi-015	35-60°C	1.5	CPF 15mm
TMV3-Combi-022			CPF 22mm

* Kvs-value in m3/h at a pressure drop of 1 bar. CPF = compression fitting. Two check valves for both hot and cold water are included.



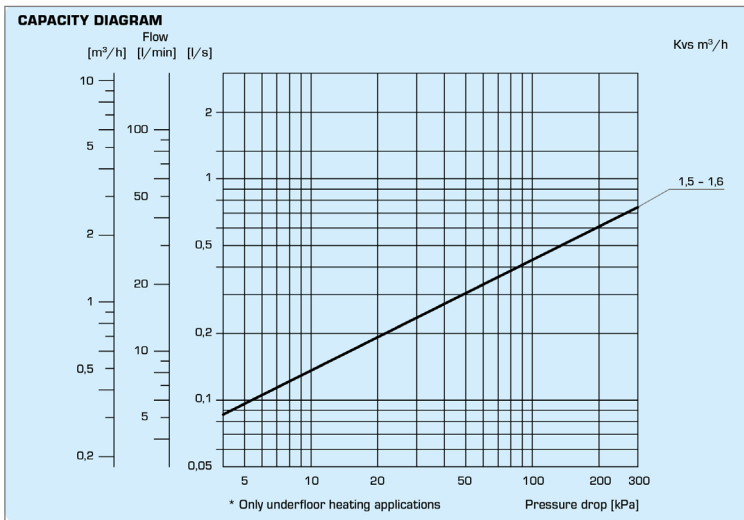
VTA353 Combi Model

Art. No	Dimensions				Weight
	A	B	C	D	kg
TMV3-Combi-015	207	72	60	56	0.93
TMV3-Combi-022		89			1.16



Technical Details

VTA353 & Combi



Technical Data

Max. working pressure	PN10
Max. differential pressure	3 Bar
Factory setting	41°C
Temperature setting range	35-60°C
Minimum hot to mix temperature	10°C
Maximum media temperature	85°C
Temperature stability	+/- 2%*
Supply pressure imbalance dynamic	6:1
Minimum Flow Rate	4 l/m
Max. percentage of glycol	40%
Strainer size	40 mesh

* Valid at unchanged hot/cold water pressure, minimum flow rate 4 l/min. Minimum temperature differential between hot water inlet and mixed water outlet of 10°C.

CE PED 2014/68/EU, article 4.3



Pressure Equipment in conformity with PED 2014/68/EU, article 4.3 (sound engineering practice). According to the directive the equipment shall not carry any CE-mark. TMV3 certificate No: NSF2323/0221

Specification text

PN10 rated DZR Brass (CW602N) Thermostatic Mixing Valve assembly, suitable for hot and cold-water temperatures from 35-60°C. Tamperproof to prevent unauthorised or accidental adjustment of temperature after commissioning. Scald-safe to ensure full automatic shut off, in the event of a cold-water failure and able to deliver 40 litres/minute at 2.5 bar pressure.

Preassembled with 15mm/22mm compression fittings, or 4-in-1 angle inlet fittings complete with strainers, non-return valves, binder points and isolation valves to meet the needs of the dwelling.

Technical Details

VTA353 & Combi

Materials

Component	Material	Grade
Valve body	Brass	CW625N
Spring	Stainless steel wire	EN 10270-3:2001
Thermostat	Copper/brass	EL 15140 F3 - 0848
Cover	Brass	CW625N
Adjusting screw	Brass	CW625N
24.6 x 2.4 O-ring	Rubber	EP11/7/4
12.3 x 2.4 O-ring	Rubber	70 EPDM 331
Regulating cone	Plastic	PES (Ultrason E2010 G4)
24.6 / 21.5 / 3 Flat-ring	Rubber	EP/80/2
20.35 x 1.78 O-ring	Rubber	70 EPDM 331
Adaptor	Brass	CW625N
Sealant	Klingersil	C-4324
Compression ring	Brass	CW602N
Compression locking nut	Brass	HPB59-3
Hexagonal locking nut	Brass	HPB59-3
Compression ring	Brass	HPB63
Combi valve body	Brass	HPB59-3
Lock	Steel	SS304
Seat ring	EPDM	EP7118F
Screw	Steel	Q235
Stem	Brass	HPB59-3
O-rings	EPDM	EP7118F
Ball	Brass	HPB59-3
Filter net	Mild steel	SS304
Bonnet	Brass	HPB59-3
Metal ring	Mild steel	SS304

