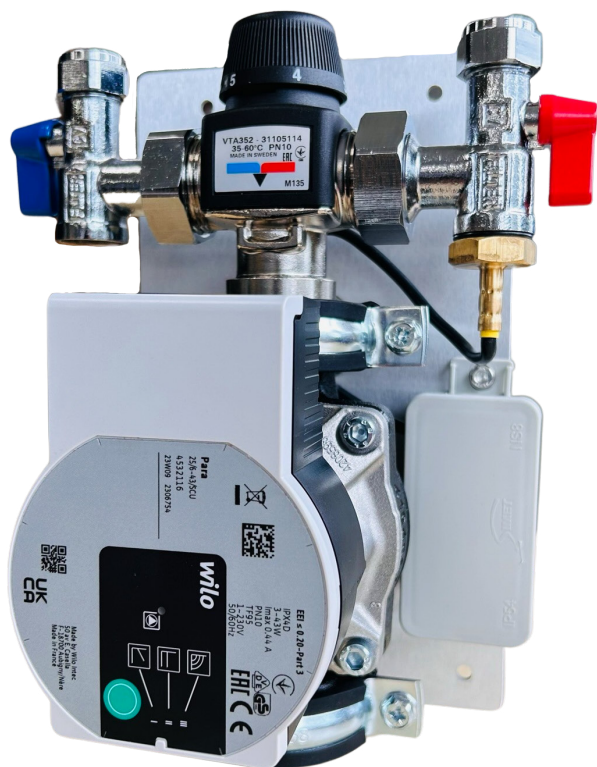


# ESBE SL Pump Control Set

Single-loop underfloor heating with thermostatic mixing valve



essco  
FIT & FORGET



## Specification

Kv: 1.6 (Up to 90sqm / 5kW)

Temperature range: 35°C - 60°C

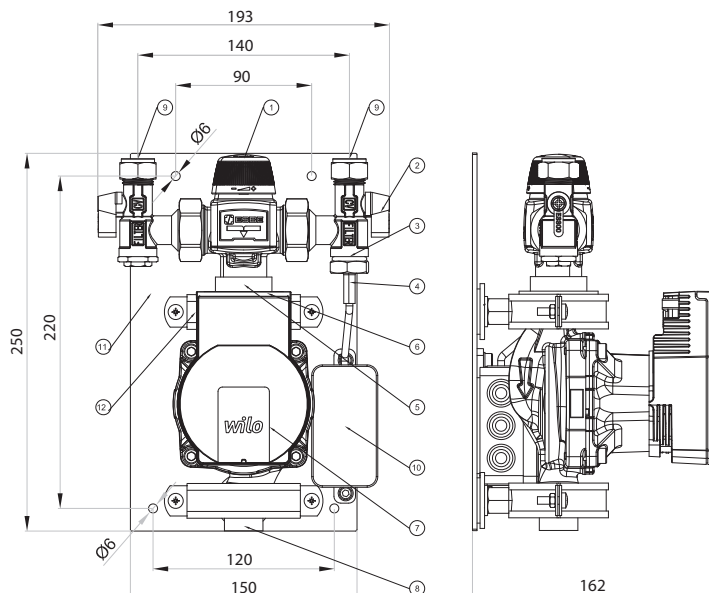
Max temperature range:

Continuously = 95°C / Temporarily = 100°C

Maximum supply pressure: 10 Bar

## Optional extras

Eurocone connection fittings



## Product Information

The ESBE SL thermostatic single-loop pump set comes complete with:

- 'A' rated Wilo Para 25/6 SCU pump
- Assembled in the UK: pre-tested, packaged and ready for instant installation
- Wall mounting plate as standard
- Fitted temperature switch (40°C standard)
- In-built primary isolation valves
- ESBE 35-60 UFH thermostatic mixing valve
- In-built bypass
- Pre-wired pump terminal box
- 2 Year warranty

## Specification

| 1  | ESBE 35-60 Thermostatic Mixing Valve | 1 |
|----|--------------------------------------|---|
| 2  | Isolation Ball Valve                 | 2 |
| 3  | ½" BSP Female Adaptor                | 1 |
| 4  | Temperature Switch 40°C              | 1 |
| 5  | 1" BSP X 1 ½" Flange Adaptor         | 1 |
| 6  | 1 ½" Pump Flange Nut                 | 1 |
| 7  | Wilo Yonos Para Pump                 | 1 |
| 8  | ½" BSP Female Adaptor                | 1 |
| 9  | ½" Compression Connections           | 1 |
| 10 | Junction Box                         | 1 |
| 11 | Wall Back Plate                      | 1 |
| 12 | Pump Bracket                         | 1 |