

ESBE T4 Pump Control Set

Underfloor heating with thermostatic mixing valve

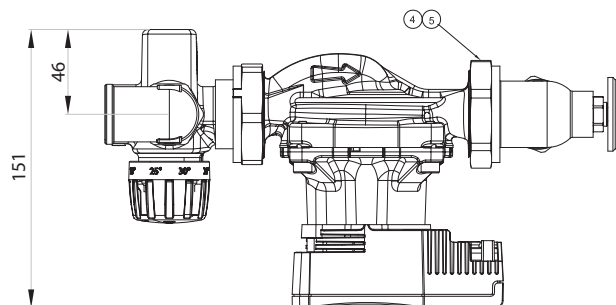
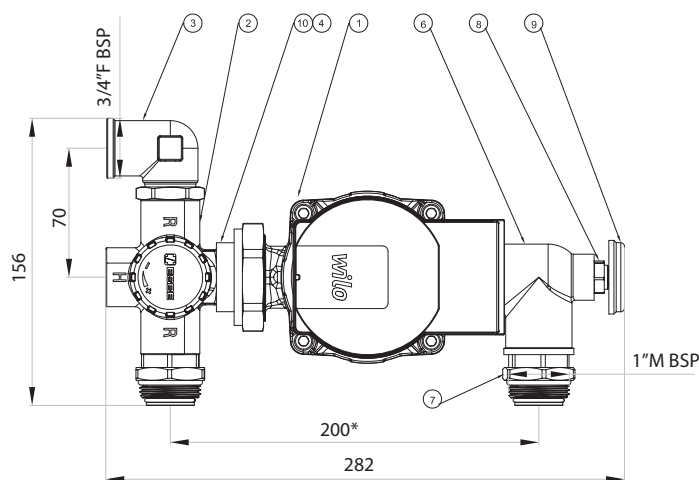
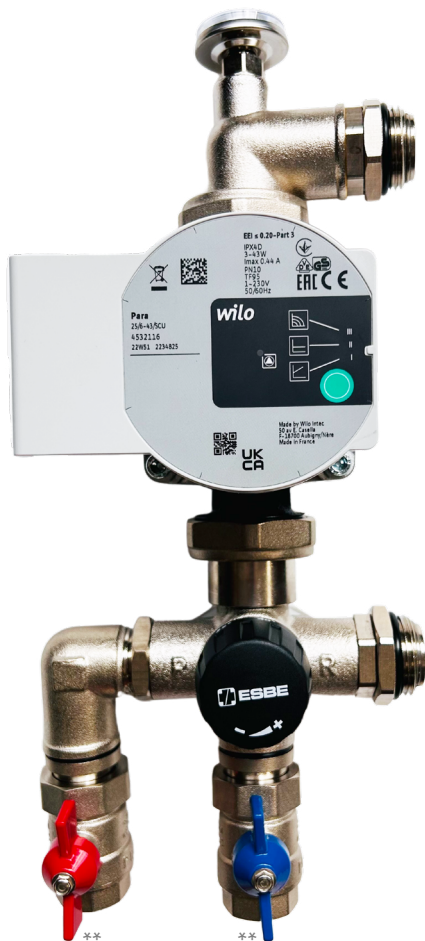


Specification

Kv: 3.4Kv (Up to 220sqm / 18kW)
 Temperature range: 20°C - 55°C
 Max temperature range:
 Continuously = 95°C / Temporarily = 100°C
 Maximum supply pressure: 10 Bar

Optional extras

Primary isolation valves
 Safety temperature switch
 Manifold isolation valves
 Compression fittings



Product Information

The ESBE compact T4 thermostatic 4 port pump set, comes complete with:

- 20°C - 55°C temperature range suited for force screed drying in accordance with (BS1264)
- 'A' rated Wilo Para 25/6 SCU pump
- Integrated check valves for easy filling
- Temperature gauge
- Assembled in the UK: pre-tested, packaged and ready for instant installation
- 2 Year warranty
- Fully reversible (Left or Right sided manifold)
- Side or bottom entry connections
- Available in 200mm, 210mm and 225mm manifold connection centers

Specification

| | | |
|----|--|-----|
| 1 | WILO 25/6-SCU Pump | 1 |
| 2 | ESBE Thermostatic Mixing Valve | 1 |
| 3 | Flow / Return Elbow | 1 |
| 4 | 2mm Rubber Washer | 2 |
| 5 | 1 1/2" Rapid Connection Nut | 2 |
| 6 | Elbow Flanged | 1 |
| 7 | 1" Male BSP Flow and Return | 2 |
| 8 | 3/8" Pocket | 1 |
| 9 | Temperature Gauge | 1 |
| 10 | Manifold Centre Distance Spacer | 1 |
| R | Return from Manifold / Flow to Heat Source | N/A |
| H | Flow from Heat Source | N/A |

**Primary isolation valves are an optional extra

*Standard centre distance. 210mm and 225mm also available.