

ESBE SL Pump Control Set

Single-loop underfloor heating with thermostatic mixing valve



essco
FIT & FORGET



Specification

Kv: 1.6 (Up to 90sqm / 5kW)

Temperature range: 35°C - 60°C

Max temperature range:

Continuously = 95°C / Temporarily = 100°C

Maximum supply pressure: 10 Bar

Optional extras

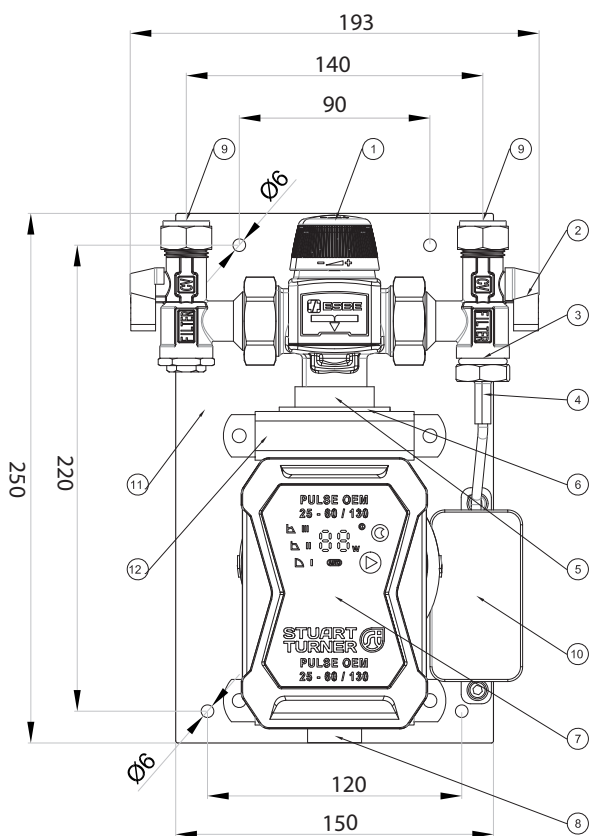
Eurocone connection fittings



Product Information

The ESBE SL thermostatic single-loop pump set comes complete with:

- 'A' rated Stuart Turner 25/6 pump
- Assembled in the UK: pre-tested, packaged and ready for instant installation
- Wall mounting plate as standard
- Fitted temperature switch (40°C standard)
- In-built primary isolation valves
- ESBE 35-60 UFH thermostatic mixing valve
- In-built bypass
- Pre-wired pump terminal box
- 2 Year warranty



Specification

Item	Description	Quantity
1	ESBE 35-60 Thermostatic Mixing Valve	1
2	Isolation Ball Valve	2
3	½" BSP Female Adaptor	1
4	Temperature Switch 40°C	1
5	1" BSP X 1 ½" Flange Adaptor	1
6	1 ½" Pump Flange Nut	1
7	Stuart Turner 25/6 Pump	1
8	½" BSP Female Adaptor	1
9	½" Compression Connections	1
10	Junction Box	1
11	Wall Mounting Plate	1
12	Munsen Ring Clip	1