

# ESBE T4 Pump Control Set

Underfloor heating with thermostatic mixing valve

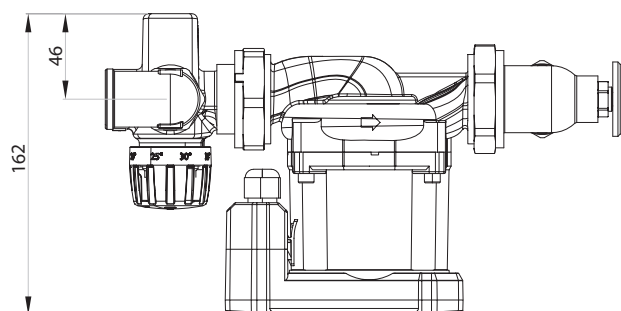
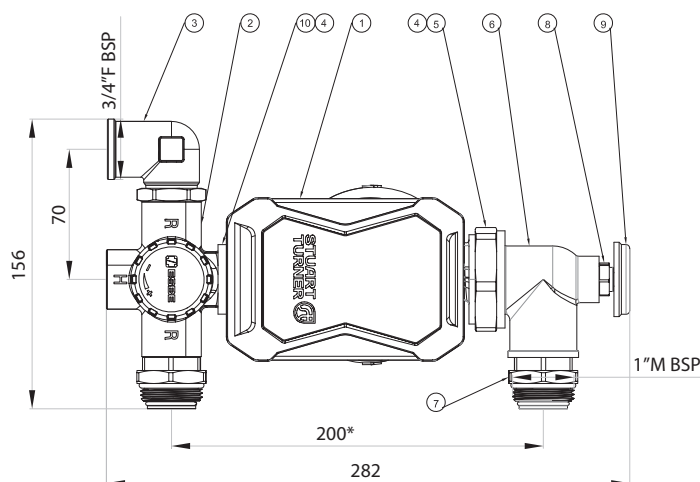


## Specification

Kv: 3.4Kv (Up to 220sqm / 18kW)  
 Temperature range: 20°C - 55°C  
 Max temperature range:  
 Continuously = 95°C / Temporarily = 100°C  
 Maximum supply pressure: 10 Bar

## Optional extras

Primary isolation valves  
 Safety temperature switch  
 Manifold isolation valves  
 Compression fittings



## Product Information

The ESBE compact T4 thermostatic 4 port pump set, comes complete with:

- 20°C - 55°C temperature range suited for force screed drying in accordance with (BS1264)
- 'A' rated Stuart Turner 25/6 pump
- Integrated check valves for easy filling
- Temperature gauge
- Assembled in the UK: pre-tested, packaged and ready for instant installation
- 2 Year warranty
- Fully reversible (Left or Right sided manifold)
- Side or bottom entry connections
- Available in 200mm, 210mm and 225mm manifold connection centers

## Specification

Item	Description	Quantity
1	Stuart Turner 25/6 Pump	1
2	ESBE Thermostatic Mixing Valve	1
3	Flow / Return Elbow	1
4	2mm Rubber Washer	2
5	1 1/2" Rapid Connection Nut	2
6	Elbow Flanged	1
7	1" Male BSP Flow and Return	2
8	3/8" Pocket	1
9	Temperature Gauge	1
10	Manifold Centre Distance Spacer	1
R	Return from Manifold / Flow to Heat Source	N/A
H	Flow from Heat Source	N/A

\*Standard centre distance. 210mm and 225mm also available.