

EV1031 Filter Ball Valve

For isolation and magnetic filtering of heating and potable systems



Overview

The Filter Ball Valve can be used to provide isolation and filtering of heating and/or potable water circuits. Also available with magnet for additional magnetic filtration (optional).

Features and Benefits

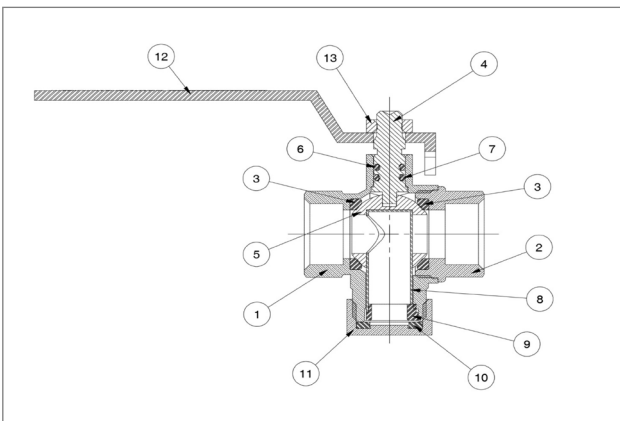
- Regulation 4 compliant with WRAS approval for use in potable water systems
- Compact size helped by vertical filter
- Reduced installation and material costs through fitting a single component (replacing ball valve, strainer, ball valve arrangement)
- Lower sealing points reduce risk of leakage
- Stainless steel and nylon filter provides good filtration of inlet water, with optional magnet to collect ferrous material
- Chrome plated for longer life span
- Handle stop on body avoids stress on stem
- UNI EN 12266-1 A3/A4 tested (for DN32 & DN40, in accordance with 2014/68/UE directive)



Technical Specification

Specification	
Medium	Heating / potable water
Maximum working pressure	PN30
Working temperature range	Non-magnetic range: -20 – 150°C* Magnetic range: -20 – 100°C*
Strainer size	500 Micron
Magnet specification (where ordered)	12,000 gauss
Installation	Vertical or horizontal (follow flow direction)
Threads	ISO 228 parallel FxF
Handle	T-Handle
Approvals	Water Regulations Approval Scheme (WRAS) Certificate No. 2209067

*Warning: Freezing of fluid can lead to damage in the valve so is not recommended.



Materials

Description	Material	Grade
1 Body	Nickel plated brass	CW617N
2 Filter cap	Nickel plated brass	CW617N
3 Seals	Plastic	PTFE
4 Stem	Brass	CW614N
5 ball	Chrome plated brass	CW617N
6 O-Ring	Rubber	NBR
7 O-Ring	Rubber	FKM
8 Filter	Stainless Steel + Nylon	AISI304 + Nylon
9 Filter	Stainless Steel + Nylon	AISI304 + Nylon
10 Flat seal	Rubber	NBR
11 Plug	Brass	CW614N
12 Plastic coated handle	Zinc plated Steel	-
13 Zinc plated nut	Steel	-
14** Screw	Stainless Steel	AISI304
15** Magnet	Neodymium	NdFeB

**Items 14 and 15 feature in the magnetic version only (optional).

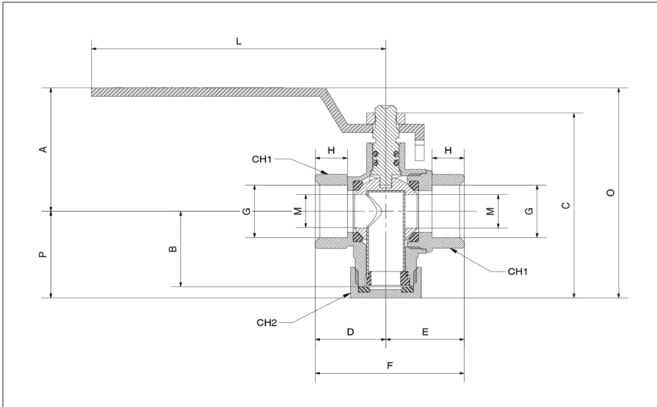
Product Codes

Non-Magnetic		Magnetic	
Size	Product Code	Size	Product Code
1"	EV1031-025	1"	EV1031M025

Dimensions

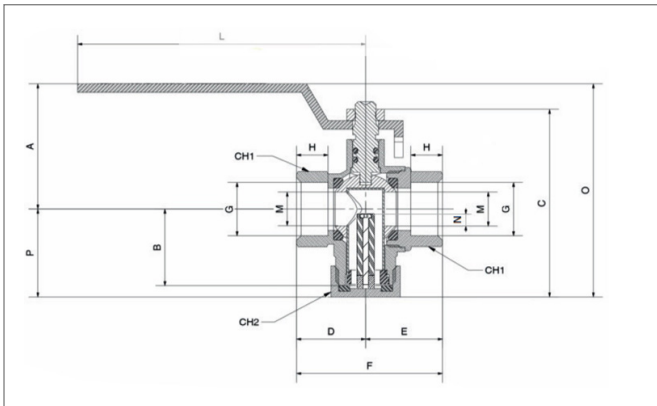
Filter Ball Valve

Non-Magnetic



Dimensions	
Size	1"
A	50.8
B	34.5
C	80.5
D	34.5
E	35.6
F	70.1
H	15
L	100
M	20
O	89.5
P	38.7
CH1	38
CH2	38

Magnetic



Dimensions	
Size	1"
A	50.8
B	34.5
C	80.5
D	34.5
E	35.6
F	70.1
H	15
L	100
DN M	20
N	5.5
O	89.5
P	38.7
CH1 Oct	38
CH2 Hex	38



Maintenance	
1	Isolate handle so it is perpendicular to direction of flow (opposite to image adjacent)
2	Leave to cool as necessary
3	Unscrew filter cap
4	If ordered, remove magnet and clear contents
5	Remove filter and wash under running water
6	Refit filter and cap then tighten
7	Slowly reopen valve by retuning handle to open position
8	Check for any leaks and resolve as necessary

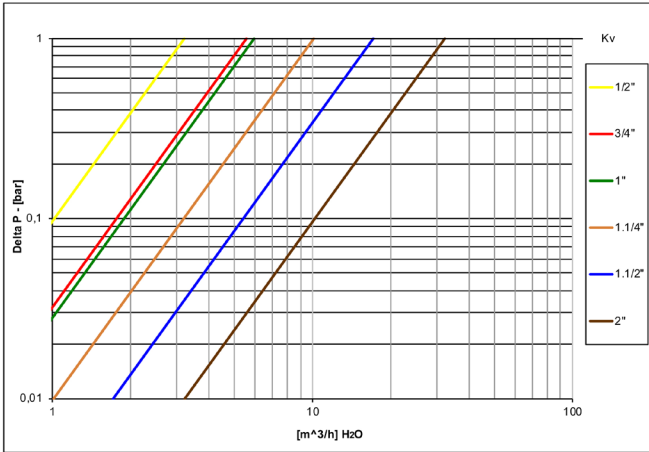
Pressure Drops

Filter Ball Valve

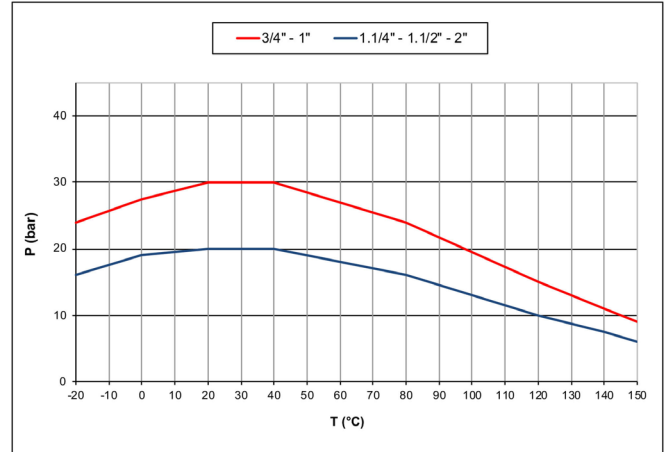


Non-Magnetic

Size	1"
Kv	5.97

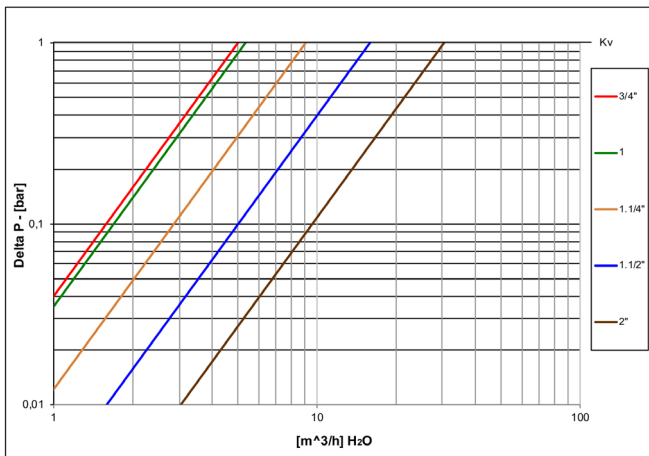


Temperature effect on valve pressure rating:



Magnetic

Size	1"
Kv	5.35



Temperature effect on valve pressure rating:

