



EV1185 Flanged Lever Lugged Butterfly Valve

For isolation of heating and cooling systems on flanged pipework

Overview

The WRAS approved Lugged Pattern Butterfly Valve provides isolation of hot and cold-water systems for a wide variety of applications including potable water, HVAC, oil and gas production, marine, chemical, wastewater, and mining.

Note: unsuited to petroleum services, steam services, or services where working pressure or temperature fall outside of ranges stated. For actuators and other butterfly valve accessories, see range EC1185.

Features and Benefits

- Universal lugged pattern design
- Stainless steel notch plate and fittings greatly reduce risk of corrosion
- Fully stocked from DN50-DN300, with up to DN600 available on request
- Face to face dimensions to BS EN 558 Series 20
- Pressure test standard BS EN 12266 PN16
- Regulation 4 compliant with WRAS approval for use in potable water systems



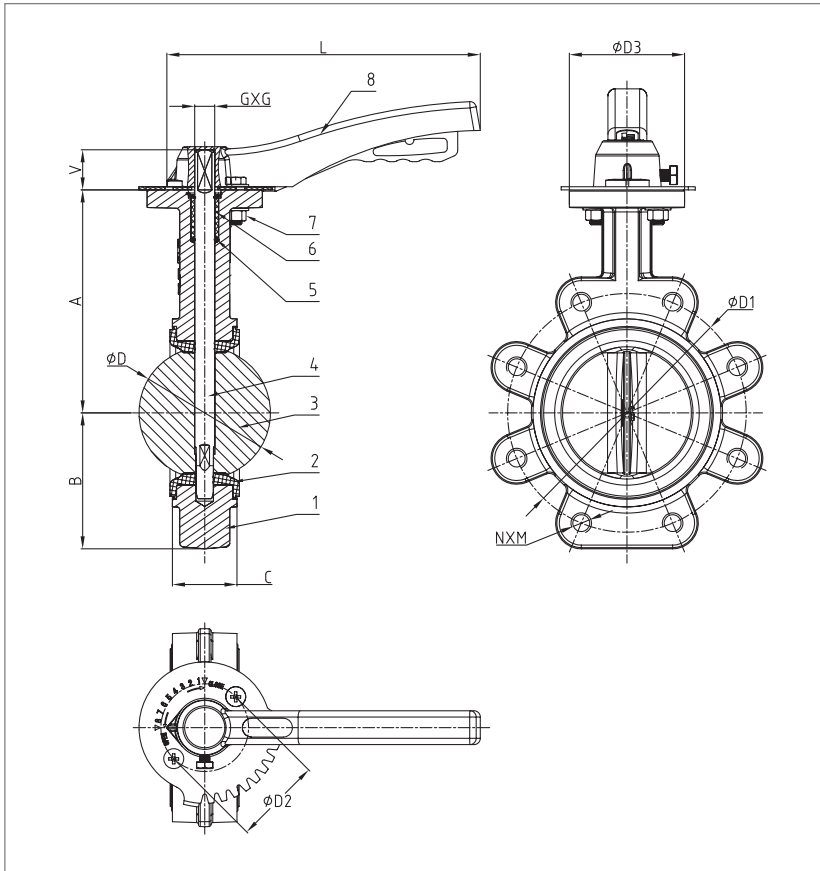
Technical Specification

Specification	
Medium	Heating, cooling, and potable water systems
Maximum working pressure	PN16
Working temperature range	0 – 110°C
Installation	Vertical or horizontal
Threads	Flanged
Handle	Lever type, black handle
Paint RAL	RAL5005 (max 80°C)

Product Codes

Product Code	Size DN (mm)	Size NPS (inches)	Weight (kg)
EV1185-050	DN50	2"	4.35
EV1185-065	DN65	2 ½"	5.09
EV1185-080	DN80	3"	6.45
EV1185-100	DN100	4"	8.2
EV1185-125	DN125	5"	10.48
EV1185-150	DN150	6"	11.97
EV1185-200	DN200	8"	21.62
EV1185-250	DN250	10"	30.36
EV1185-300	DN300	12"	44.16

Dimensions & Materials



Dimension	Size								
	DN50	DN65	DN80	DN100	DN125	DN150	DN200	DN250	DN300
A	140.5	153	157.5	176	191	202.5	243.5	273	311
B	64.5	72	86	100	112	128	162	194	223
C	43	46	46	52	56	56	60	68	78
D	53.9	65.2	79.7	105	129.8	155.8	206.7	253.3	301.9
D1	125	145	160	180	210	240	295	355	410
D2	70	70	70	70	70	70	102	102	102
D3	90	90	90	90	90	90	125	125	125
V	32	32	32	32	32	32	45	45	45
N x M	4xM16	4xM16	8xM16	8xM16	8xM16	8xM16	12xM20	12xM24	12xM24
G x G	11x11	11x11	11x11	14x14	14x14	14x14	17x17	22x22	22x22
L	251	251	251	251	251	251	388	388	388
ISO 5211	F07	F07	F07	F07	F07	F07	F10	F10	F10

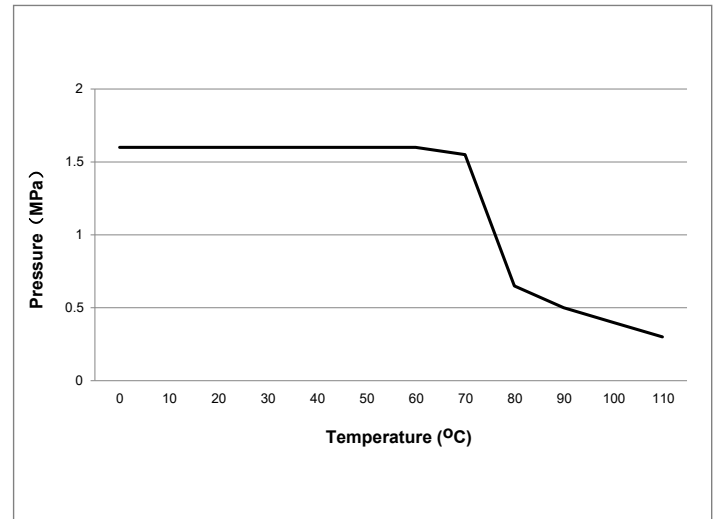
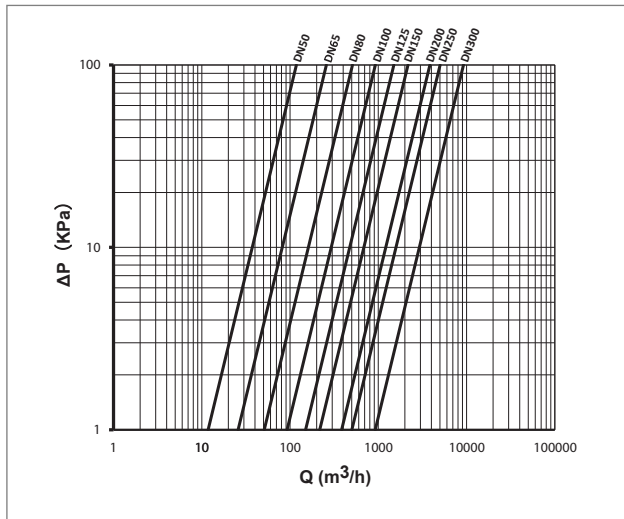
Description	Material	Grade
1 Body	Ductile iron	EN-GJS-450-10
2 Seat	Rubber	EPDM
3 Disc	Stainless steel	SS316
4 Stem	Stainless steel	SS316
5 O-Ring	Rubber	EPDM
6 Bushing	Plastic	PTFE
7 Bolts and nuts	Stainless steel	SS316
8 Lever	Aluminium	ADC12

Technical Details



Pressure Drops

Nominal diameter	Butterfly valve Kv value flow coefficient at opening angle of butterfly valve								
	10°	20°	30°	40°	50°	60°	70°	80°	90°
DN									
DN50		0.9	6.3	14	29	53	94	116	118
DN65		2.5	11	28	50	92	168	245	258
DN80		5.3	22	50	90	157	282	460	510
DN100		9.8	40	90	158	268	485	823	926
DN125		16	70	150	263	430	766	1350	1500
DN150		84	113	230	395	640	1096	1850	2170
DN200		112	212	405	678	1084	1785	3045	3842
DN250	20	155	309	590	989	1590	2716	4765	5014
DN300	48	283	384	745	1253	2058	3742	6820	9230



Torque Ratings

Size	Nominal pressure of 10 bar		Nominal pressure of 16 bar	
	Torque	+30% safety	Torque	+30% safety
DN40	10	13	10	13
DN50	14	18.2	14	18.2
DN65	18	23.4	18	23.4
DN80	21	27.3	21	27.3
DN100	32	41.6	32	41.6
DN125	45	58.5	45	58.5
DN150	61	79.3	61	79.3
DN200	112	145.6	112	145.6
DN250	206	267.8	206	267.8
DN300	256	332.8	256	332.8
DN350	625	812.5	625	812.5
DN400	1320	1716	1320	1716
DN450	1700	2210	1700	2210
DN500	2150	2795	2150	2795
DN600	3650	4745	3650	4745