

TOP TIPS

Technical Support Series

ESBE CRA 210 Controllers



essco



#1



The CRA210 controller runs on 12v DC and is supplied with a suitable transformer.



Be careful if replacing an older CRA110 controller, as these run on 24v AC.

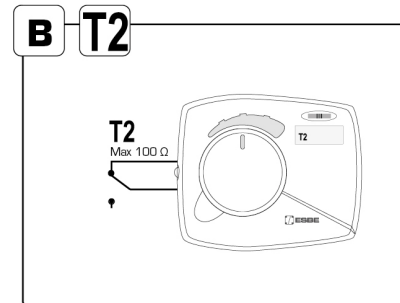
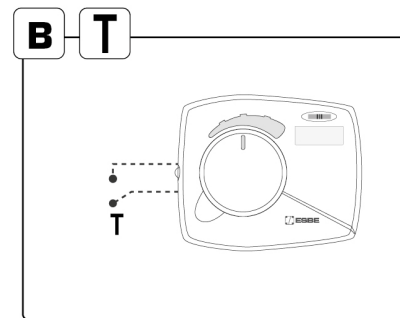
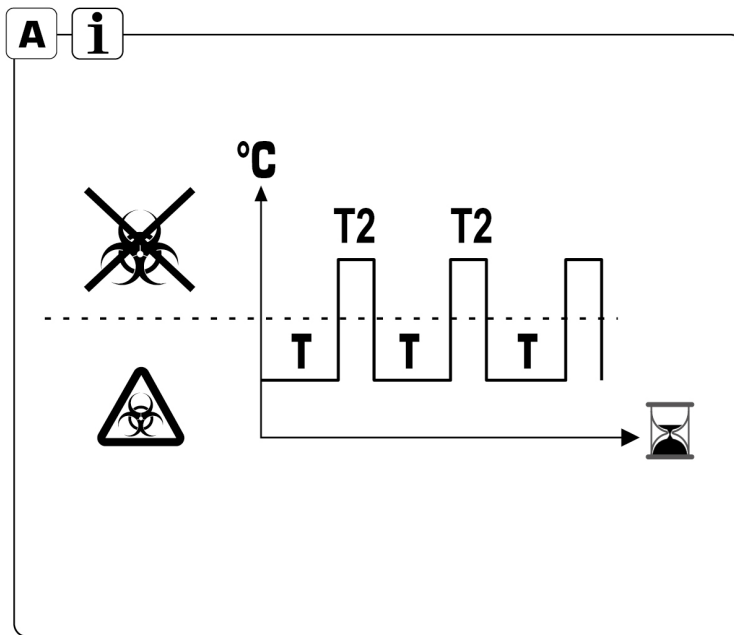
Ensure you replace the transformer as well.

essco

Settings on the CRA200 platform are easily changed using the in-built trigger switch and LED readout.

#2

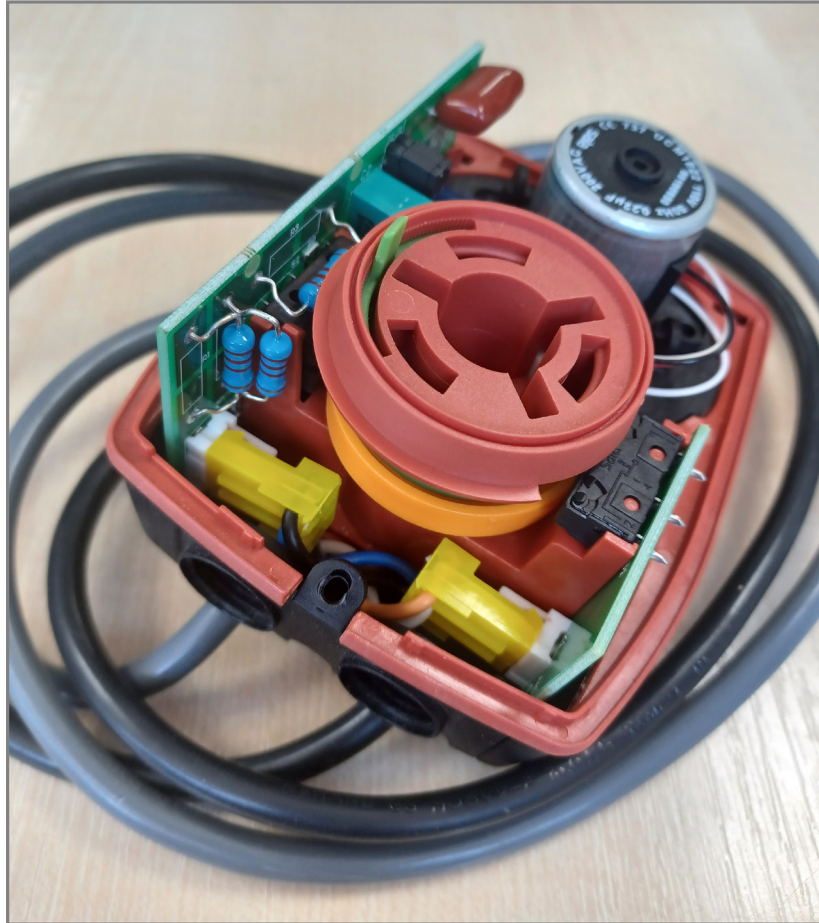
The T2 function allows you to call for a second set temperature from the same package from your heating control center.



Perfect for reducing heating output overnight or increasing temperature short term for anti-legionella.

#3

Like their ARA actuator cousins, the CRA can be fitted with an auxiliary switch for pump control.



This can be easily added on site, or we can fit it for you before we dispatch.

essco

essco + ESBE®

We are the UK distributor of ESBE valve and actuator products for HVAC systems.

Contact us for technical support and product selection advice.

PRODUCTS ARE AVAILABLE TO PURCHASE FROM YOUR PREFERRED PLUMBING MERCHANT.



sales@esscogroup.co.uk

www.esscogroup.co.uk

01489 779068

