

TOP TIPS

Technical Support Series

ESBE SERIES ARA600 Rotary Actuators



essco



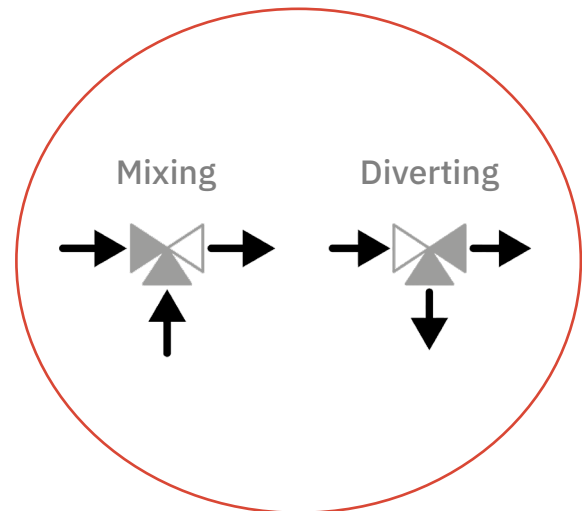
#1

ESBE actuators are available with these control methods:

- 3-Point (usually mixing)
- 2-Point (usually diverting)
- Proportional (mixing or diverting)



Firstly, is the application mixing or diverting?

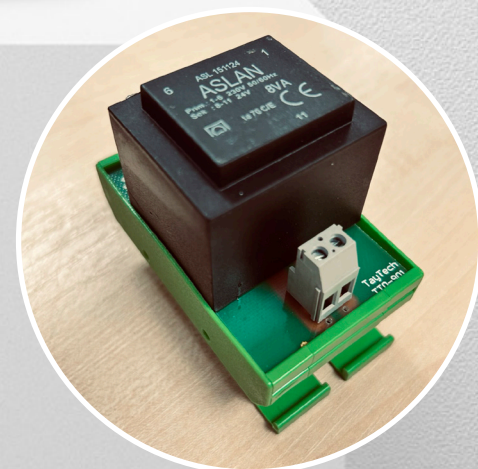




#2



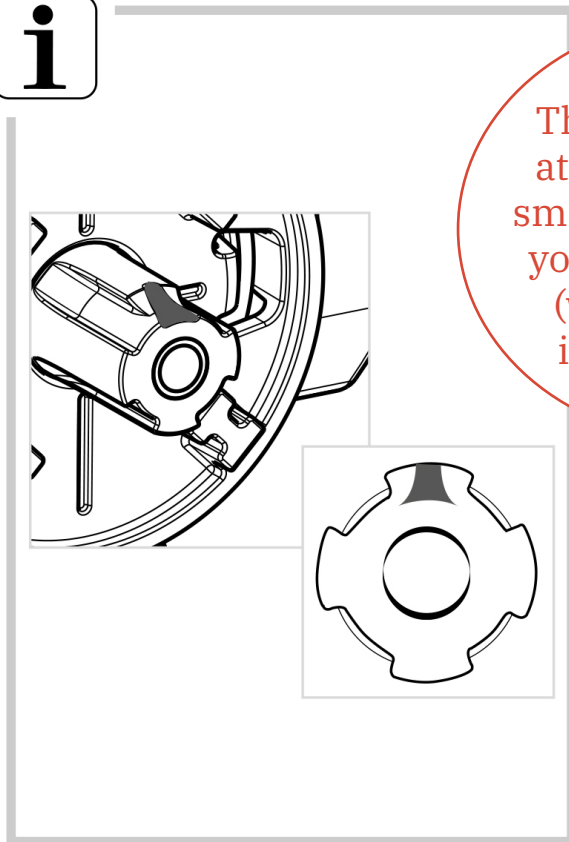
Is the control voltage
24V or 230V?



#3

ARA600 actuators are supplied in mid-stroke (or 45 degrees)

It's important to position the valve shoe in the correct place before fitting or powering the actuator.

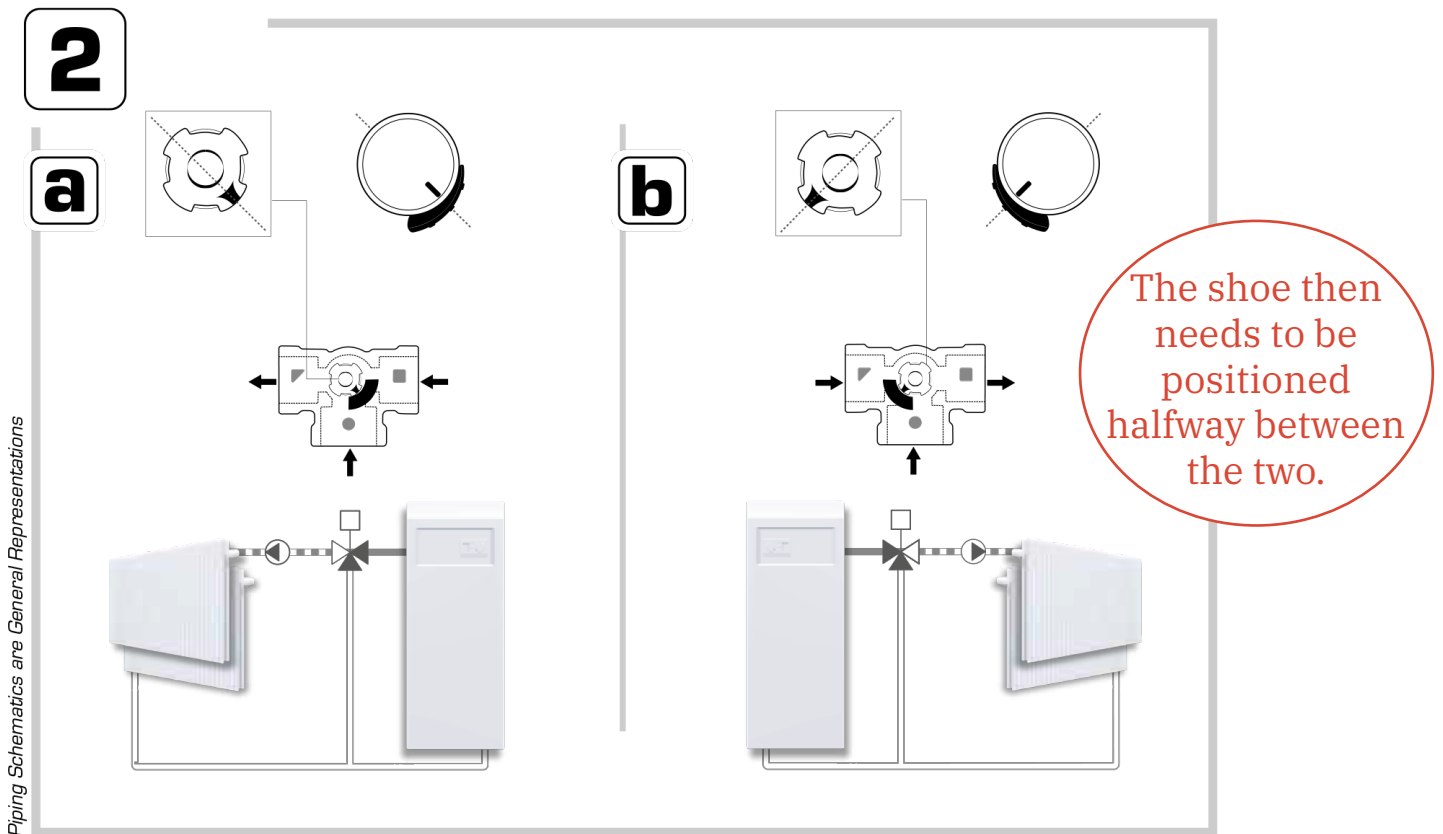


The trick is to look at the spindle for a small arrow that tells you where the shoe (working part) is inside the valve.

#3

Continued

Next, you need to work out which two ports are being controlled (e.g flow and return pipes of the heating system).



ESSCO

essco +  ESBE®

Essco are the UK distributor of ESBE valve and actuator products for HVAC systems.

Contact us for technical support and product selection advice.

PRODUCTS ARE AVAILABLE
TO PURCHASE FROM YOUR
PREFERRED PLUMBING
MERCHANT.



sales@esscogroup.co.uk

www.esscogroup.co.uk

01489 779068

