

EV1021 Extended Lever Ball Valve

For isolation of heating, cooling, and potable systems



Overview

The full-bore Extended Lever Ball Valve is used to provide isolation in heating, cooling, and potable water systems.

Features and Benefits

- Full bore for maximum flow rate with lower pressure drops
- PN40 pressure rated
- Heavy pattern and nickel plated for quality, with blue handle fitted as standard and red handle supplied lose if needed
- Regulation 4 compliant with WRAS approval for use in potable water systems



Technical Specification

Specification	
Medium	Heating/cooling, and potable water systems
Maximum working pressure	PN40
Working temperature range	-10 – 100°C
Installation	Vertical or horizontal
Threads	Female BSP
Handle	Lever type, blue fitted and red supplied lose
Threads	ISO 228 parallel FxF
Handle	T-Handle ½" to 1", Lever-Handle 1½" to 2"
Approvals	Water Regulations Approval Scheme (WRAS) Certificate No. 2209067



Product Codes

Product Code	Size	Weight (kg)
EV1021-015	1/2"	0.30
EV1021-020	3/4"	0.41
EV1021-025	1"	0.63
EV1021-032	1 1/4"	0.97
EV1021-040	1 1/2"	1.22
EV1021-050	2"	1.93

Technical Details

Extended Lever Ball Valve

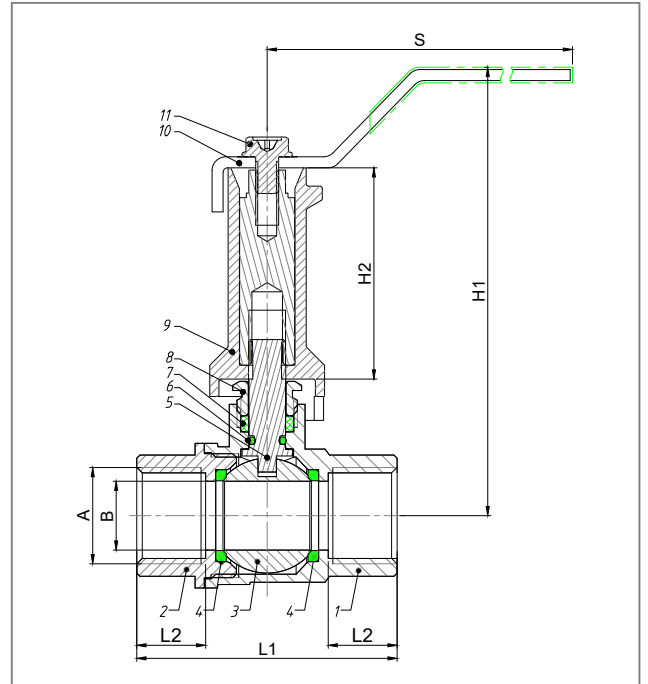


Dimensions

Dimensions						
Size	½"	¾"	1"	1 ¼"	1 ½"	2"
A	G½"	G¾"	G1"	G1 ¼"	G1 ½"	G2"
B	14.5	19	24.5	31.5	40	49
L1	56.7	67	77	88	99.3	121
L2	15	18	19.5	20	21	26.5
H1	94	96	108	132	141	150
H2	46	69	46	51	51	54.2
S	88	100	125	140	140	165

Materials

Description	Material	Grade
1 Body	Nickel plated brass	CW617N
2 Bonnet	Nickel plated brass	CW617N
3 Ball	Chrome plated brass	CW617N
4 Ball seat	Plastic	PTFE
5 Stem	Brass	HPB59-T
6 O-Ring	Rubber	EPDM
7 Packing	Plastic	PTFE
8 Locking nut	Brass	HPB59-T
9 Spindle extensions	Nickel plated brass	HPB59-T
10 Lever handle	Plastic coated steel	PVC + Q235
11 Screw	Steel	Q235



Pressure Drops

Pressure Drops						
Size	1/2"	3/4"	1"	1 1/4"	1 1/2"	2"
Kv (m³/h)	16	37	62	115	190	285

