

EV1035 Union Butterfly Ball Valve

For isolation of heating, cooling, and potable systems

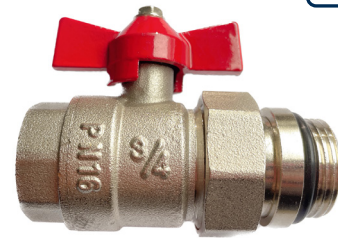


Overview

The full-bore Union Butterfly Ball Valve is used to provide isolation in heating, cooling, and potable systems. Particularly useful where valves are fitted to assemblies which may require removal.

Features and Benefits

- Union fitting to allow for removal of an assembly fitted after ball valve
- Red or blue handles for clear distinction between flow and return pipework
- Aluminium butterfly handle
- Regulation 4 compliant with WRAS approval for use in potable water systems



Technical Specification

| Specification | |
|---------------------------|--|
| Medium | Heating/cooling, potable water systems |
| Maximum working pressure | PN16 |
| Working temperature range | -20 – 110°C |
| Installation | Vertical or horizontal |
| Threads | Female BSP x Male Union |
| Handle | Butterfly type < 1", lever type over 1" Red or blue options available |

Product Codes

| Product Code | Size | Handle Colour | Weight (kg) |
|--------------|------|---------------|-------------|
| EV1035B020 | 3/4" | Blue | 0.30 |
| EV1035R020 | 3/4" | Red | 0.30 |

Materials

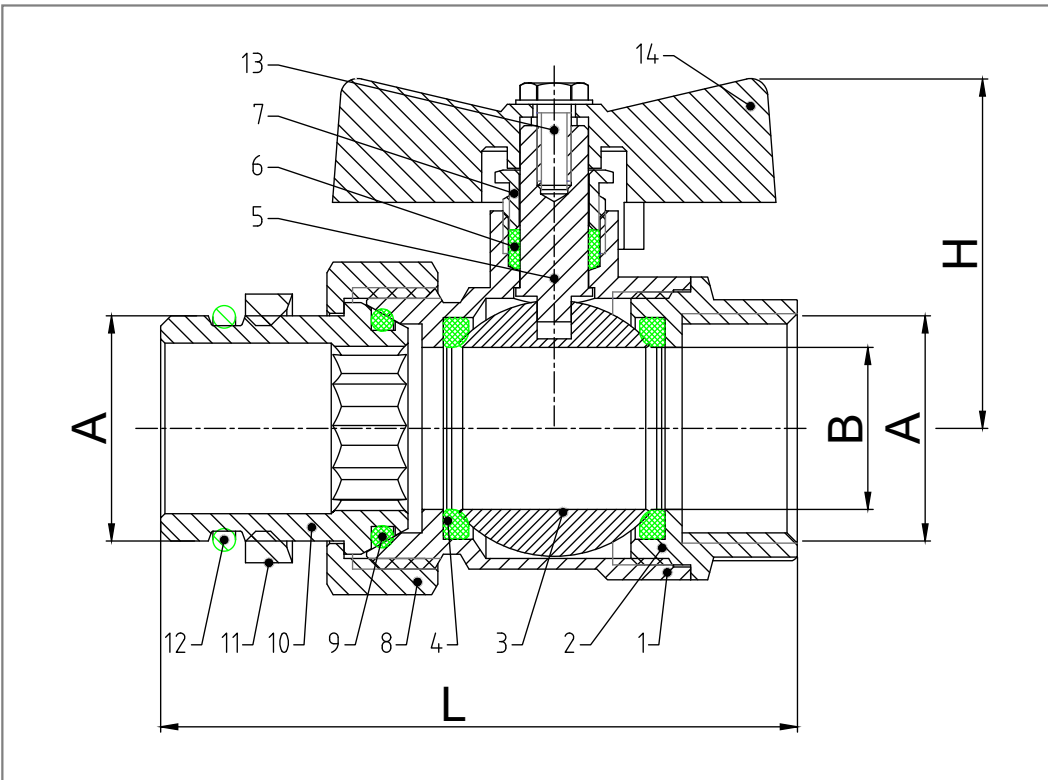
| Description | Material | Grade |
|------------------|-------------------------|------------|
| 1 Body | Nickel plated brass | CW617N |
| 2 Bonnet | Nickel plated brass | CW617N |
| 3 Ball | Chrome plated brass | CW617N |
| 4 Ball seat | Plastic | PTFE |
| 5 Stem | Brass | HPB59-T |
| 6 Packing | Plastic | PTFE |
| 7 Lock nut | Brass | HPB59-T |
| 8 Coupling nut | Nickel plated brass | CW617N |
| 9 Gasket | Rubber | EPDM |
| 10 Male adaptor | Nickel plated brass | CW617N |
| 11 Plug | Nickel plated brass | HPB59-T |
| 12 O-Ring | Rubber | EPDM |
| 13 Screw / nut | Steel | Q235 |
| Butterfly handle | Painted aluminium alloy | |
| 14 Lever handle | Plastic coated steel | PVC + Q235 |

Dimensions

Union Butterfly Ball Valve



| Dimensions | |
|------------|-------|
| Size | 3/4" |
| A | G3/4" |
| B | 19 |
| L | 74.6 |
| H | 42.3 |
| S | - |



Pressure Drops

Union Butterfly Ball Valve



Pressure Drops

| | |
|-----------|------|
| Size | 3/4" |
| Kv (m³/h) | 35 |

