

EV1080 Gas Lever Ball Valve

For isolation of mains gas supply



Overview

The Gas Lever Ball Valve provides isolation of mains gas supply.

Features and Benefits

- Full bore for maximum gas flow rate with lower pressure drops
- PN40 pressure rated
- Heavy pattern and chrome plated for quality, with yellow lever handle
- EN331 gas approved
- Regulation 4 compliant with WRAS approval for use in potable water systems



Technical Specification

Specification	
Medium	Gas, heating/cooling, potable water systems
Maximum working pressure	PN40
Working temperature range	-20 – 60°C (Gas) -20 – 120°C (Water)
Installation	Vertical or horizontal
Threads	Female BSPP
Handle	Lever type, yellow handle

Product Codes

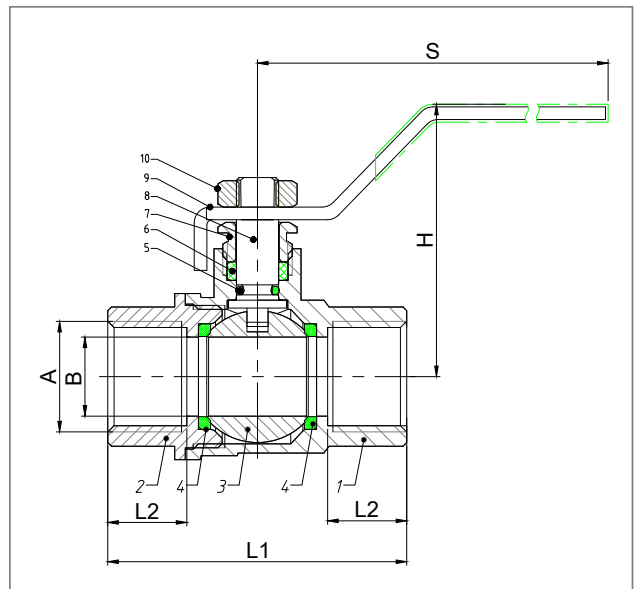
Product Code	Size	Weight (kg)
EV1080-015	1/2"	0.21
EV1080-020	3/4"	0.315
EV1080-025	1"	0.476
EV1080-032	1 1/4"	0.73
EV1080-040	1 1/2"	0.98
EV1080-050	2"	1.586

Materials

Description	Material	Grade
1 Body	Nickel plated brass	CW617N
2 Bonnet	Nickel plated brass	CW617N
3 Ball	Chrome plated brass	CW617N
4 Ball seat	Plastic	PTFE
5 O-Ring	Rubber	NBR
6 Packing	Plastic	PTFE
7 Locking nut	Brass	HPB59-T
8 Stem	Brass	HPB59-T
9 Red handle	Plastic coated steel	PVC + Q235
10 Nut	Stainless steel	201#

Dimensions

Dimensions						
Size	1/2"	3/4"	1"	1 1/4"	1 1/2"	2"
A	G1 1/2"	G3/4"	G1"	G1 1/4"	G1 1/2"	G2"
B	14.5	19	24.5	31.5	40	49
L1	56.7	67	77	88	99.3	121
L2	15	18	19.5	20	21	26.5
H	52	54.5	62	81	90	96
S	88	100	125	140	140	165



Pressure Drops

Gas Lever Ball Valve



Pressure Drops

Size	1/2"	3/4"	1"	1 1/4"	1 1/2"	2"
Kv (m ³ /h)	16	37	62	115	190	285

