

EV1476 Double Check Valve

For closing or preventing backward flow of heating, cooling, and potable systems



Overview

The Double Check Valve is used to close or prevent backward flow of heating, cooling, and potable systems. Used to protect pumps and compressor equipment from damage caused by backflow / reverse flow.

Features and Benefits

- Dezincification resistant (DZR) brass
- Low pressure drop increases energy savings
- Lower maintenance costs; fewer moving parts
- Regulation 4 compliant with WRAS approval for use in potable water systems



Technical Specification

Specification	
Medium	Heating/cooling, potable water systems
Maximum working pressure	PN16
Working temperature range	0 – 85°C
Installation	Vertical or horizontal, in flow direction
Threads	Female BSP

Dimensions

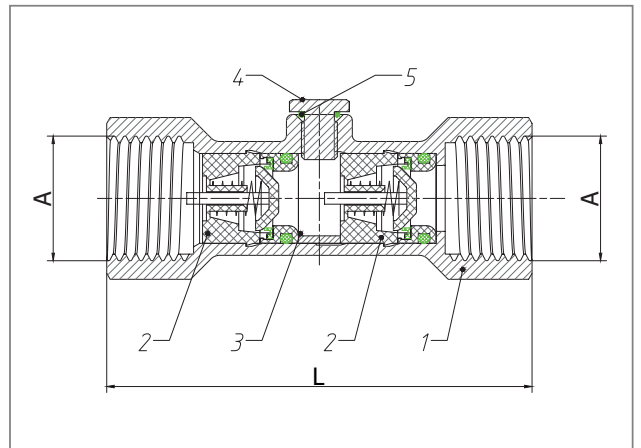
Dimensions						
Size	½"	¾"	1"	1 ¼"	1 ½"	2"
A	G1/2"	G3/4"	G1"	G1 ¼"	G1 ½"	2"
L	54	64	71	91	100	122

Product Codes

Product Code	Size	Weight (kg)
EV1476-015	1/2"	0.13
EV1476-020	3/4"	0.21
EV1476-025	1"	0.36
EV1476-032	1 1/4"	0.56
EV1476-040	1 1/2"	0.74
EV1476-050	2"	1.35

Materials

Description	Material	Grade	
1 Body	Brass	CW602N	
	Body, plunger, cap, guidance	Plastic	POM
2 NRV	O-Ring, lip-seal	Rubber	NBR
	Spring	Stainless steel	
3 Plastic ring	Plastic	ABS	
4 Screw	Brass	CW602N	
5 O-Ring	Rubber	EPDM	



Pressure Drops

Single Check Valve



Pressure Drops

Size	3/4"	1"	1 1/4"	1 1/2"	2"	
Kv (m ³ /h)	3	5.5	9	14	22	45

