

# EC1185(A+B) Electric Actuator

For electronic actuation of lever butterfly valves



## Overview

Multi-voltage electronic actuators for use on manual lever operated butterfly valves, ranges EV1185 and EV1205. Range EC1185B mirrors EC1185A but features an additional Modbus interface.



## Features and Benefits

- Multi-voltage design (24-240V DC/AC) with automatic voltage sensing
- On/Off & Modulating Versions
- Failsafe Battery Backup Option
- Manual Override feature
- IP67 Weatherproof Polyamide Body
- Anti-condensation heater
- 4 Limit Switches
- Modbus interface (EC1185B range)



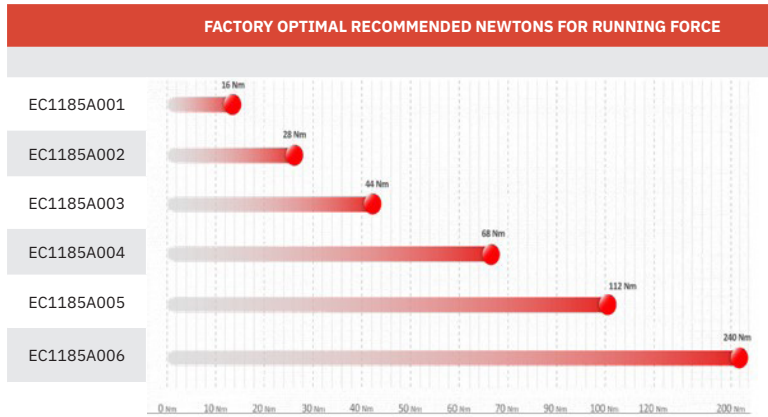
## Technical Specification

Specification	Specification					
	EC1185A001	EC1185A002	EC1185A003	EC1185A004	EC1185A005	EC1185A006
Operation time	9 sec / 90°		13 sec / 90°	29 sec / 90°	34 sec / 90°	58 sec / 90°
Max. Torque break	25Nm	38Nm	60Nm	90Nm	170Nm	350Nm
Max. operational torque	20Nm	35Nm	55Nm	85Nm	140Nm	300Nm
Compatible butterfly valves	EV1185-050 EV1205-050	EV1185-065, 080 EV1205-065, 080	EV1185-100 EV1205-100	EV1185-125, 150 EV1205-125, 150	EV1185-200, 250 EV1205-200, 250	EV1185-200, 250 EV1205-200, 250
Duty rating	75%					
Max. working angle	0° – 270°C					
Limit switch	4 SPST NO motor (2 motor stop and 2 conformations)					
Automatic heater	3.5W					
Big plug	EN175301-803 Form A					
Small plug	DIN43650/C					
Protection IEC 60529 rating	IP67					
Temperature	-20 – 70°C					
ISO 5211 plate	F03/F04/F05 (optional F07*17)		F05/F07		F07/F10 (optional F12)	
DIN 3337 female output drive	*14 (*9, *11 optional)		*17 (*11, *14 optional)		*22 (17 optional)	
Compatible accessories (EC1185C-H)	EC1185C001 – KIT DPS 1 EC1185D001 – KIT BSR 1 EC1185G001 – Potentiometer EC1185H001 – 3 Position actuator			EC1185C002 – KIT DPS 2 EC1185D002 – KIT BSR 2 EC1185G001 – Potentiometer EC1185H001 – 3 Position actuator		

# Technical Details



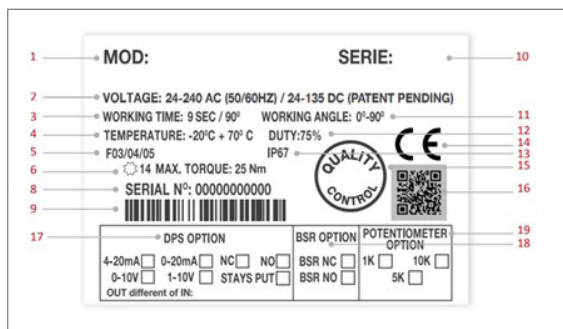
## Product Codes



Product Code	Running Force		Weight (kg)
	Optimal	Maximum	
EC1185A001	16Nm	20Nm	5.33
EC1185A002	28Nm	35Nm	5.8
EC1185A003	44Nm	55Nm	6.13
EC1185A004	68Nm	85Nm	7.16
EC1185A005	112Nm	140Nm	8.27
EC1185A006	249Nm	300Nm	10.08



## Identification Label



**Identification Label**

1	Actuator Model	11	Working angle
2	Voltage to be connected	12	Duty
3	Working time	13	Actuator with the IP67 protection
4	Actuator ready to work (-20°C – 70°C)	14	Actuator with the CE certificate
5	Fixing plate for actuator, to ISO 5211	15	Quality Control Conformity
6	Female output drive size, to DIN3337	16	QR code for manufacturing
7	Maximum torque break	17	DPS options
8	Actuator serial number	18	BSR options
9	Bar code of the serial number	19	POTENTIOMETER options
10	Actuator Series		

# Technical Details

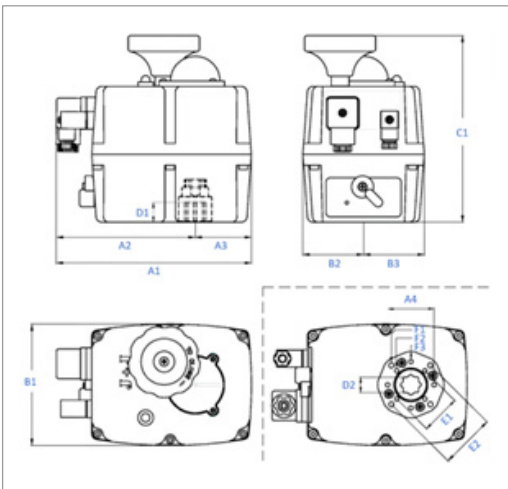


## Materials

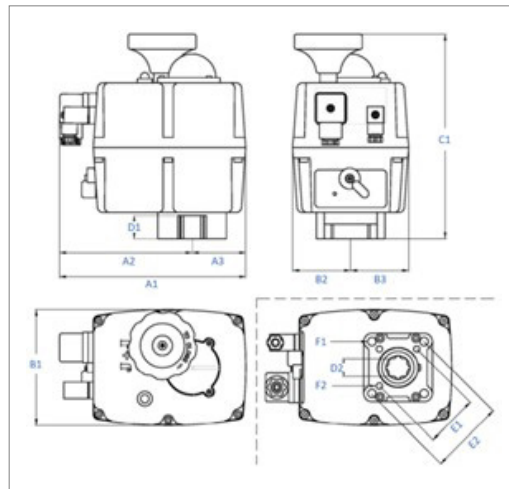
	Description	Material	Grade
1	Housing	Plastic	Polyamide
2	Main external shaft	Plastic	Polyamide
3	External screws	Stainless steel	SS316
4	Gears	Steel and polyamide	N/A
5	Visual position indicator	Plastic	Polyamide
6	Dome	Plastic	Polycarbonate
7	Adjustable internal cams	Plastic	Polyamide
8	Electric motor	24VDC brushless motor	
9	Insulation	N/A	Class B

## Dimensions

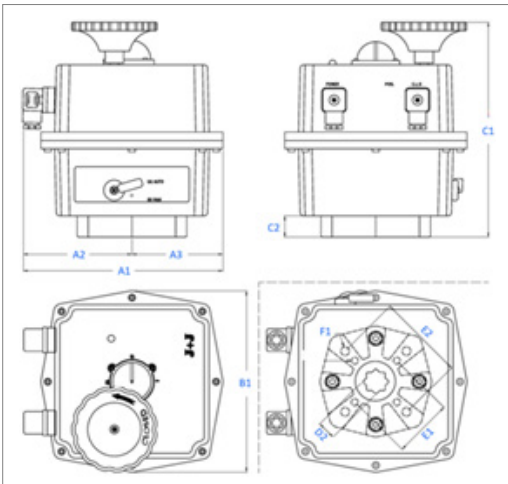
EC1185A001 – 002



EC1185A003 – 004



EC1185A005



	Product Code					
	EC1185A001	EC1185A002	EC1185A003	EC1185A004	EC1185A005	EC1185A006
A1		181			235	
A2		130			128	
A3		51			107	
A4	42					
B1		110			214	
B2		55			-	
B3		55			-	
C1	169		196		254	
C2					25	
D1	16,12,10		18,18,18			
D2	14,11,19		11,14,17		17*19mm, 22*24mm	
E1	36		50		70	
E2	50		70		102	
F1	4xM6		4xM8		4xM10	
F2	4xM5		4xM6		4xM8	
F3	4xM5		-		-	