

EV1540 Y-Strainer

For filtering of heating, cooling, and potable systems



Overview

The Y-Strainer is used to filter water and remove unwanted particles from within heating, cooling, and potable water systems using a wire mesh straining element.

Features and Benefits

- PN16 pressure rated
- Heavy pattern for quality
- Maximum flow rate with lower pressure drops
- Regulation 4 compliant with WRAS approval for use in potable water systems



Technical Specification

Specification	
Medium	Heating/cooling, and potable water systems
Maximum working pressure	PN16
Working temperature range	0-85°C
Installation	Vertical or horizontal (orientations shown)
Threads	Female BSP
Mesh Size	500 mesh

Product Codes

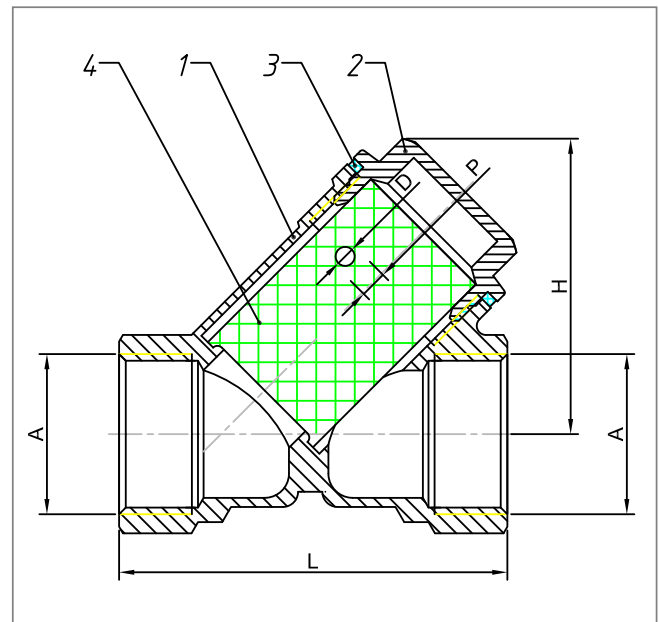
Product Code	Size	Weight (kg)
EV1540-015	1/2"	0.12
EV1540-020	3/4"	0.19
EV1540-025	1"	0.25
EV1540-032	1 1/4"	0.57
EV1540-040	1 1/2"	0.64
EV1540-050	2"	1.19

Materials

Description	Material	Grade
1 Body	DZR brass	CZ132
2 Bonnet	DZR brass	CZ132
3 Washer	Plastic	PTFE
4 Strainer Mesh	Stainless Steel	SS304

Dimensions

Dimensions						
Size	1/2"	3/4"	1"	1 1/4"	1 1/2"	2"
A	G1/2"	G3/4"	G1"	G1 1/4"	G1 1/2"	G2"
L	54	64	71	91	100	122
H	40.5	48.7	52.5	71	77	94
D	862	862	862	862	862	862
P	495	495	495	495	495	495
Holes per cm ²	43	43	43	43	43	43



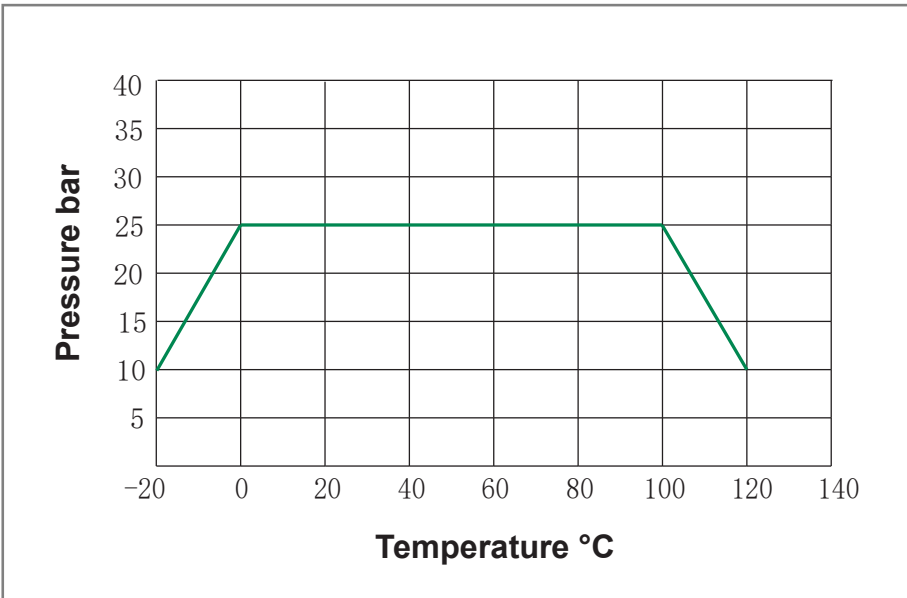
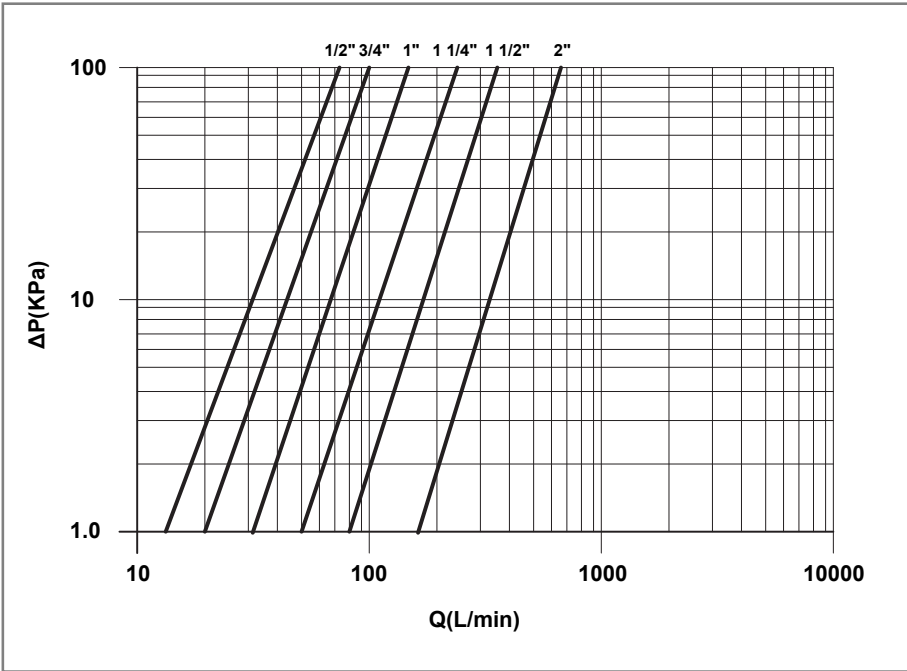
Pressure Drops

Y-Strainer



Pressure Drops

Size	1/2"	3/4"	1"	1 1/4"	1 1/2"	2"
Kv (m ² /h)	4.5	6	9	16	22	35
Kv (l/m)	75	100	150	266.67	366.67	583.33



Installation Orientations

