

EV1290 Flanged Gas Gate Valve with Cap Top

For isolation of gas supply lines on flanged pipework



Overview

Gate valve with vent plug, suitable for gas applications. With patented dual seal technology for seal tightness with low torque.

Features and Benefits

- 7 bar maximum operating pressure for double-block-and-bleed
- BSI Kitemark, CE (PED 97/23/EC) and DVGW compliant
- Two stem seals fully replaceable under pressure
- 250µm FBE internal and external coating
- Lifting eye bolts standard from DN125
- Face to face dimensions to BS 5163 (EN 558-1 Series 3)
- Construction complies to GIS/V7-1 Class A/B, EN 13774 Class 1/2
- Bonnet complies to GW 336 (adaptation of extension spindle)

Technical Specification

Specification	
Medium	Natural gas lines
Maximum working pressure	PN7
Working temperature range	-20 – 60°C
Installation	Vertical or horizontal Above or below ground
Connections	Flange type to EN 1092-2 PN16
Operation	Cap top (Handwheel also supplied loose for site fitting where required)



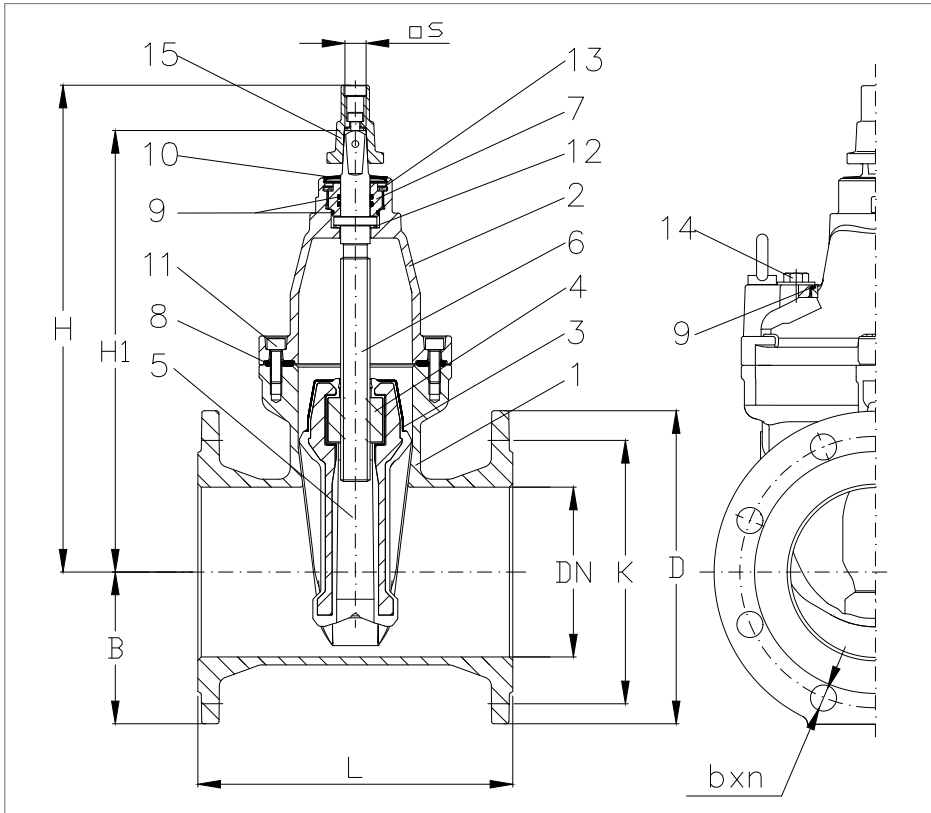
Handwheel supplied loose



Product Codes

Product Code	Size DN (mm)	Weight (kg)
EV1290-050	DN50	14.7
EV1290-080	DN80	18.6
EV1290-100	DN100	21.6
EV1290-125	DN125	37.6
EV1290-150	DN150	39.3
EV1290-200	DN200	65.3
EV1290-250	DN250	88.6
EV1290-300	DN300	137

Dimensions & Materials



Note - Allen key sizes to remove cap top:

- DN50-DN150 = M8x20 (size S=6)
- DN200 = M10x40 (size S=8)
- DN250/300 = M12-40 (size S=10)

Description	Material	Grade
1 Body		
2 Bonnet	Ductile iron	EN-GJS-500-7
3 Wedge		
4 Wedge nut	Brass	H.T. DZR
5 Guide shoe	Plastic	Undisclosed
6 Stem	Stainless steel	X20Cr13 / 1.4021 / 420
7 Gland bush	Brass	H.T. DZR
8 Bonnet gasket		
9 O-Ring seal	Rubber	NBR
10 Dust seal		
11 Bonnet screws	Stainless steel	A2-70
12 Bottom washer	Plastic	POM
13 Acetal circlip	Plastic	Undisclosed
14 Vent plug	Stainless steel	X20Cr13 / 1.4021 / 420
15 Cap-Top	Ductile iron	EN-GJS-500-7

Group	Size	DN50	DN80	DN100	DN125	DN150	DN200	DN250	DN300
AG03-BS	PN16	AG0507	AG0807	AG1007	AG1257	AG1507	AG2007	AG2507	AG3007
	L	178	203	229	254	267	292	330	356
	H1	254	265	299	402	390	490	562	642
	H	303	308	342	446	435	563	635	715
	B	75	95	102	120	134	165	196	225
	K	125	160	180	210	240	295	355	410
	b x n	19x4	19x8	19x8	19x8	23x8	23x12	28x12	28x12
	D	165	200	220	250	285	340	405	460
	Stem top square □S	14.3	17.3	19.3	19.3	19.3	24.3	27.3	27.3
	Turns to open (CCW) / close (CW)	9 ¼	11 ½	14 ¼	20 ¼	20 ¼	18	21 ¼	26 ¼

Pressure Drops



Size	DN50	DN80	DN100	DN125	DN150	DN200	DN250	DN300
Kv (m ³ /h)	198	654	1,252	1,957	2,818	5,601	8,751	12,602

